

**A Attachments**

- 1 Upholstery nozzle
- 2 Crevice Nozzle

**B Optional Attachments**

- 1 Extension Hose
- 2 Straight Tube
- 3 Dusting Brush
- 4 Upholstery Nozzle, special
- 5 Wall- and Floor Brush

**C Service Parts**

- 1 Paper Bag
- 2 Micro-Hygiene-Filter
- 3 Exhaust Filter
- 4 Brush Roller

**A Accesorios**

- 1 Boquilla para tapiceria
- 2 Boquilla para grietas

**B Accesorios opcionales**

- 1 Manguera flexible
- 2 Tubo rigido
- 3 Cepillo para sacudir
- 4 Boquilla para tapiceria, especial
- 5 Cepillo para paredes y piso

**C Piezas de repuesto**

- 1 Bolsa de papel
- 2 Micro filtro higienico
- 3 Filtro de salida de aire
- 4 Cepillo de rodillo



**WARNING!** Electric shock could occur if used outdoors or on wet surfaces!

**ADVERTENCIA:** Si se utiliza al aire libre i sobre superficies humedas podría ocurrir un choque eléctrico

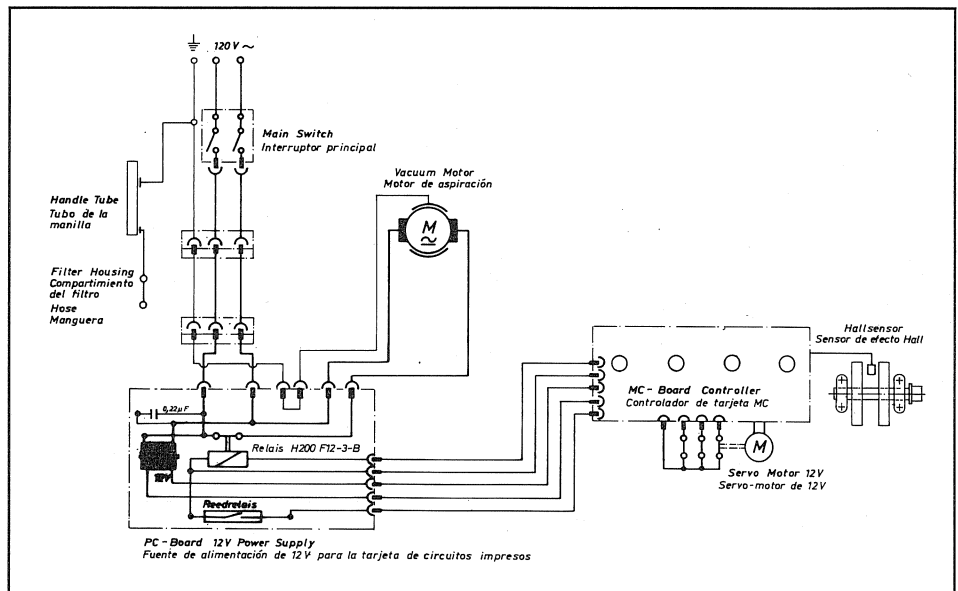
**Technical Details**

Vacuum motor	1200 Watt
Water lift	2300 mm (90")
Air flow	50 L/S (105 CFM)
Dust bag capacity	5,3 liters
Working width	448 mm (18")
Brush drive	tooth belt
Brush speed	2700 rpm
Floor adjustment	automatically sensor advised
Cable	12,2 m (40")
Weight	7,7 kg (17 lbs)
Radio supression	EN 55014 Verf. 242/91

**Datos tecnico**

Motor de aspiración	1200 vatios
Columna de agua	2300 mm (90 pulgadas)
Flujo de aire	50 L/S
Capacidad bolsa del polvo	5,3 litros
Ancho operacional	448 mm (18 pulgadas)
Motor del cepillo	cinta dentada
Velocidad del cepillo	2700 rpm
Ajuste al suelo	automático con sensor
Cable	12,2 m (40 pies)
Peso	7,7 kg (17 libras)
Supresión de radio	EN 55014 Verf. 242/91

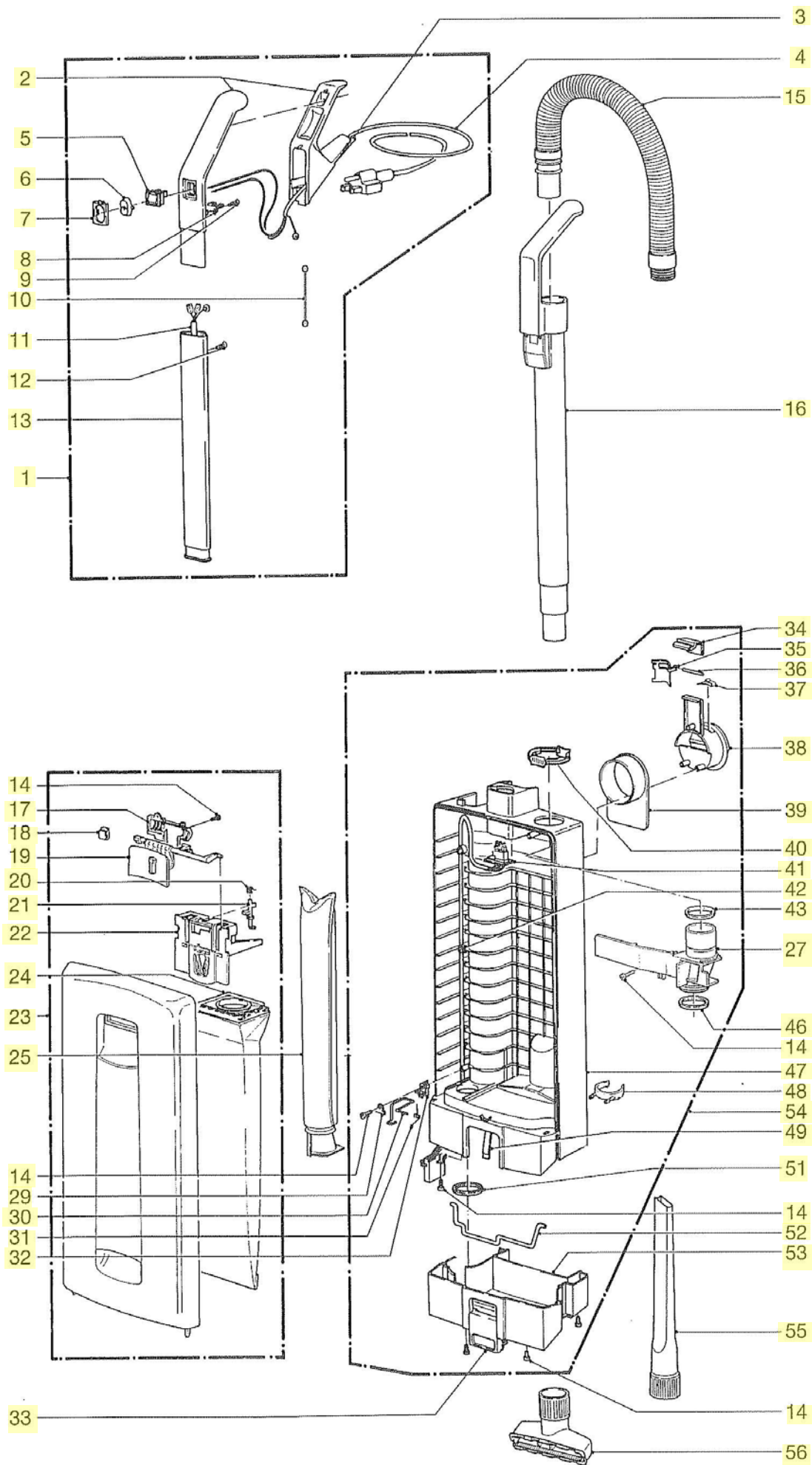
**Wiring Diagram/Diagrama de conexiones**



1351 West Stanford Ave.  
 Englewood, Colorado 80110 USA  
 800-444-7654  
 303-762-1800  
 FAX: 303-762-0817

U.S. Patents: 5,056,175  
 4,955,106  
 5,028,245

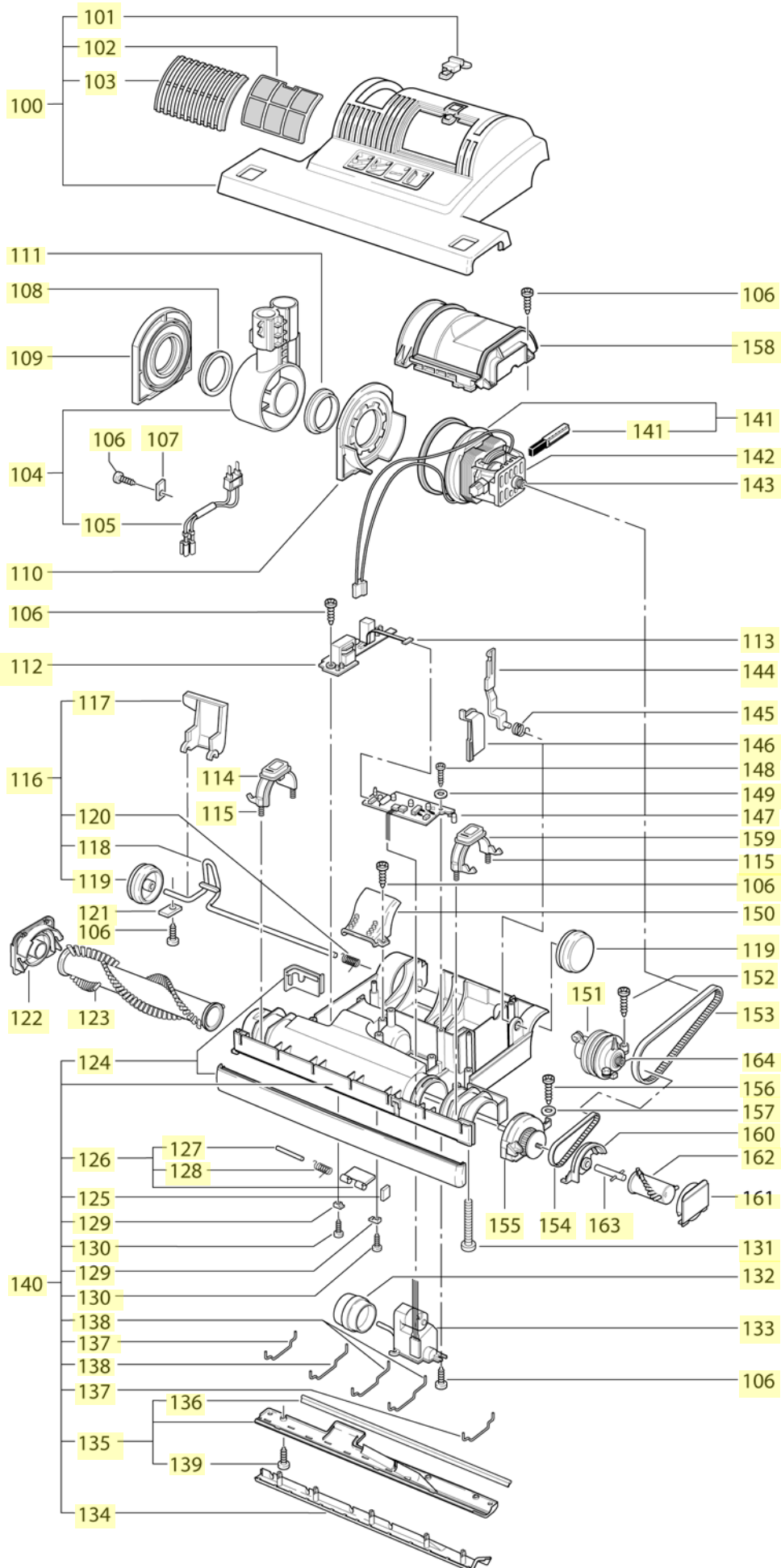
# PARTS LIST/SENSOR XP18/120V/



## PARTS LIST/SENSOR XP18/120V'

POS	PRODUCT CODE	PRV NO.	DESCRIPTION
1	86142430	5625UL	HANDLE COMPLETE
2	86142340	5296EW	HANDLE GRIP SR GRY
3	86141970	5359HG	GROMMET
4	86135510	23011	CABLE
5	86000880	0532	SWITCH / BLUE
6	86145640	5160BLU	SWITCH CAP, BLUE
7	86145700	5161HG	SWITCH CAP HOLDER GRY
8	86139280	5162	CABLE CLAMP
9	86016900	0103ER	SCREW C 3,9x16
10	86137780	0846	ANTISTATIC WIRE
11	86142310	5256ER	HANDLE CABLE 3WIRE W/CONNECTOR
12	86147140	0129	SCREW, M4 x 12MM
13	86142300	5187	HANDLE TUBE
14	86147030	0102	SCREW M3,9x13 DIN 7981
15	86142650	5040HG	HOSE, SENSOR GRY
16	86141550	5045HG	EXTENSION TUBE, GRY
17	86140830	5803HG	COVER
18	86145340	5319	SPRING, BAG HOLDER
19	86140810	5706BL	COVER RELEASE, BLUE
20	86144760	5091	SAFETY CATCH SPRING
21	86144770	5360	SAFETY CATCH
22	86138050	5324	BAG HOLDER.
23	86141860	5800WI	FRONT COVER COMPLETE
24	86000500	5300	SENSOR FILTER BAG PACK
25	86005220	5301ER	MICRO HYGIENE FILTER
27	86142910	5380HG	INTERNAL COVER
29	86139970	1073	CLAMP
30	86141620	5208	FILTER SAFETY CATCH
31	86145320	5210	SPRING (MICOR FILTER CATCH
32	86139290	5164	CABLE CLAMP
33	86141090	5082BLU	DUST BAG HOUSING LOCKING CATCH
34	86143140	5098HG	LOCK CATCH GRY
35	86142290	5099	HANDLE LOCK PLATE
36	86143060	0187	LOCK PIN
37	86145350	5146	STOP SPRING (HOOK)
38	86139450	5145HG	CARRYING HANDLE
39	86139260	5144HG	CABLE HOOK LT GRY
40	86144620	5424DG	RETAINING RING, DK, GRY
41	86142880	5255ER	INTERNAL CABLE 3WIRE LOOSE CON
42	86169320	5266	CABLE CLAMP (FILTER BAG HSNG)
43	86144900	5043	SEAL
46	86144930	5289	SEAL, FILTER TUBE
47	86141250	5281HG	DUST BAG HOUSING, 3-WIRE, GRY
48	86140080	1823HG	CLIP, DUST BAG HOUSE-SR12
49	86145280	5084	SPRING, LOCKING ROD
51	86144910	5163	SEAL, FILTER BAG HOUSING NECK
52	86143120	5083	LOCKING ROD
53	86141120	5085HG	DUST BAG HOUS.BUMPER BASE
54	86141190	5215UL	DUST BAG HOUSING, SR'S, 3-WIRE.
55	86140860	1092JE	CREVICE NOZZLE
56	86146310	1491JE	UPHOLSTERY NOZZLE

# PARTS LIST / SENSOR XP18 / 120V



## PARTS LIST / SENSOR XP18 / 120V

POS	PRODUCT CODE	PRV NO.	DESCRIPTION
100	86144360	5487WI	POWER HEAD COVER XP 18
101	86141430	5008BLU	EXHAUST FILTER CATCH
102	86141450	5143	EXHAUST FILTER
103	86141410	5007BLU	EXHAUST FILTER COVER
104	86146140	5727UL	SWIVEL NECK ASSEMBLY
105	86143200	5258UL	MALE CONTACT HOLDER
106	86147030	0102	SCREW M3,9x13 MM DIN 7981
107	86139230	2494	CABLE CLAMP
108	86145120	5101	SLEEVE
109	86146090	5178	SWIVEL NECK SUPPORT RIGHT
110	86146150	5728	SWIVEL NECK SUPPORT LEFT
111	86146130	5717	SWIVEL NECK BEARING
112	86137660	5203ER	12V POWER SUPPLY 120V 3 WIRE
113	86144650	5205	RIBBON CABLE
114	86138650	5102BLU	BRUSH ROLLER RELEASE
115	86145290	5103	SPRING
116	86137980	5051HG	AXLE ASSEMBLY GRY
117	86293260	5059OR	FOOT PEDAL, ORANGE
118	86137990	5053	AXLE
119	86146670	5819HG	WHEEL, GRY
120	86146570	2010	WHEEL RETURN SPRING
121	86140000	2014	CLAMP CONNECTING ROD (AXLE)
122	86138170	5287BLU	BEARING BLOCK RIGHT HAND
123	86138770	5276WI	BRUSH ROLLER SR 18
124	86138990	5231HG	BUMPER SR18 GRY
125	86144730	5155HG	RUBBING PLATE GRY
126	86137720	5172OR	ACCESS DOOR, ORANGE
127	86138000	5303	AXLE, ACCESS DOOR
128	86145330	5304	SPRING, ACCESS DOOR
129	86142560	5154HG	HINGE GRY
130	86147150	0100	SCREW 2.9 X 9.5
131	86147170	0176	SCREW M4 X 30
132	86143920	5174HG	PILE ADJUSTMENT WHEEL GRY
133	86145080	5060ER	SERVO MOTOR W/GEAR BOX
134	86141830	5415HG	FRONT BOTTOM PLATE
135	86144540	5416HG	REAR BOTTOM PLATE
136	86144960	5400-3	SEAL STRIP SR18
137	86146790	5401	WIRE TIE, BOTTOM PLATE, OUTER
138	86146800	5402	WIRE TIE, BOTTOM PLATE, CENTER
139	86144850	0197	SCR, M4X12 MM W/WASHER
140	86139910	5322UL	CHASSIS SR18 GRAY
141	86139400	05117S	CARBON BRUSH SET 100/120V
-	86146210	05135ST	THERMO SWITCH VAC
-	86143630	5469	MOTOR 1000W / 120V
142	86144710	5100	RUBBER MOUNTING
143	86143620	5462	MOTOR PULLEY 2MR
144	86145470	5129	SUPPORT LEVER
145	86145460	5107	SUPPORT SPRING
146	86143570	5112SW	MOTOR PULLEY COVER
147	86140160	5740ER	COMPUTER CONTROLLER, 115 & 230v
148	86147160	0107	SCREW 2.9 X 13
149	86147190	0143	WASHER 3.2
150	86140760	5173SW	COVER (SWIVEL NECK)
151	86145060	5465	SENSOR (WITH RED RING)
152	86147050	0104	SCREW M3.9 X 25 MM
153	86138240	5463	BELT 2MR-310-6
154	86005000	5110	BELT HTD-II, 219 3M
155	86138210	5767HG	BEARING BLOCK LEFT HAND CPL.
156	86016900	0103ER	SCREW C 3.9 X 16
157	86146550	0141	WASHER, LOCK
158	86143560	5018UL	MOTOR COVER, GREY
159	86138690	5239BLU	BRUSH COVER RELEASE
160	86144920	5244HG	SEAL BEARING GRY
161	86138780	5288BLU	BRUSH COVER GRY/BLU
162	86138770	5276WI	BRUSH ROLLER, SR 18
163	86145110	5246	SHAFT EXTENSION
164	86143580	5117	MOTOR PULLEY