

A Attachments

- 1 Upholstery Nozzle
- 2 Crevice Nozzle

B Optional Attachments

- 1 Extension Hose
- 2 Straight Tube
- 3 Dusting Brush
- 4 Upholstery Nozzle, special
- 5 Wall- and Floor Brush

C Service Parts

- 1 Paper Bag
- 2 Micro-Hygiene-Filter
- 3 Exhaust Filter
- 4 Brush Roller

A Accesorios

- 1 Boquilla para tapicería
- 2 Boquilla para grietas

B Accesorios opcionales

- 1 Manguera flexible
- 2 Tubo rígido
- 3 Cepillo para sacudir
- 4 Boquilla para tapicería
- 5 Cepillo para paredes y piso

C Piezas de repuesto

- 1 Bolsa de papel
- 2 Micro filtro higiénico
- 3 Filtro de salida de aire
- 4 Cepillo de rodillo

WARNING! Electric shock could occur if used outdoors or on wet surfaces!

ADVERTENCIA! Si se utiliza al aire libre i sobre superficies húmedas podría ocurrir un choque eléctrico

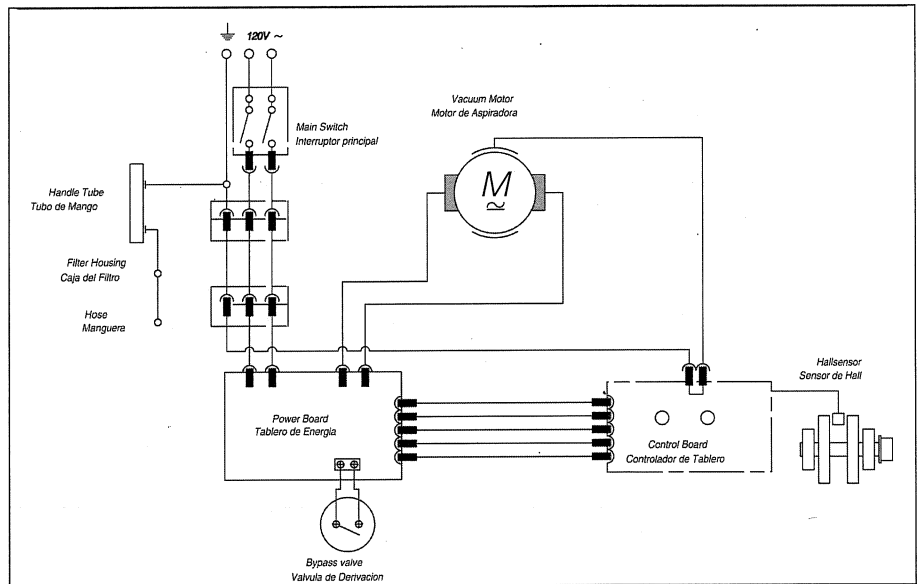
Technical Details

| | |
|-------------------|-----------------------|
| Vacuum motor | 1200 Watt |
| Water lift | 2300 mm (90") |
| Air flow | 50 L/S (105 CFM) |
| Dust bag capacity | 5,3 liters |
| Working width | 308 mm (12") |
| Brush drive | tooth belt |
| Brush speed | 2700 rpm |
| Floor adjustment | mechanical |
| Cable | 12,2 m (40 ft) |
| Weight | 7,4 kg (16,2 lbs) |
| Radio supression | EN 55014 Verf. 242/91 |

Datos tecnico

| | |
|---------------------------|-----------------------|
| Motor de aspiración | 1200 vatios |
| Columna de agua | 2300 mm (90 pulgadas) |
| Flujo de aire | 50 L/S |
| Capacidad bolsa del polvo | 5,3 litros |
| Ancho operacional | 308 mm (12 pulgadas) |
| Motor del cepillo | cinta dentada |
| Velocidad del cepillo | 2700 rpm |
| Ajuste al suelo | mecánico |
| Cable | 12,2 m (40 pies) |
| Peso | 7,4 kg (16,2 libras) |
| Supresión de radio | EN 55014 Verf. 242/91 |

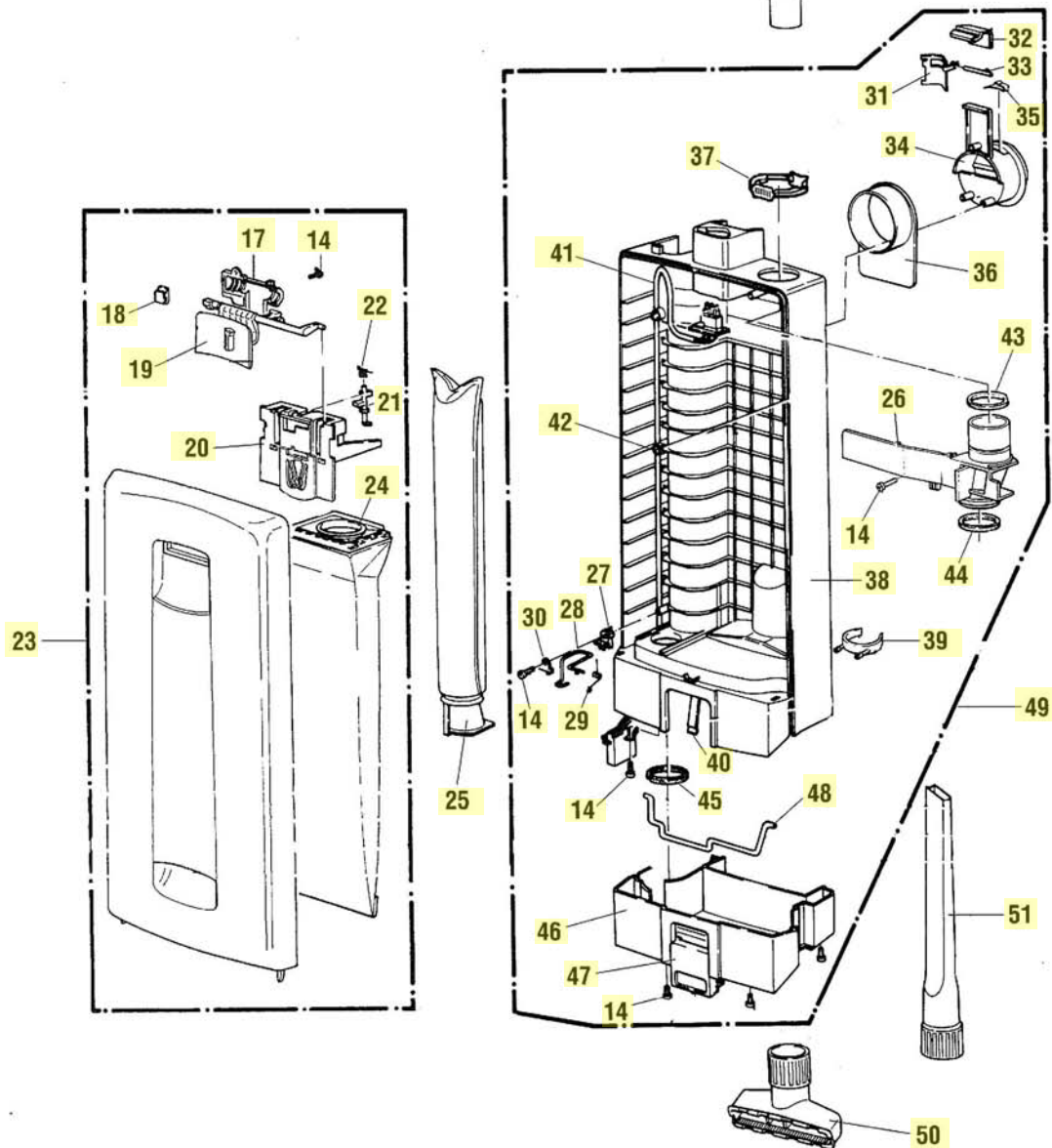
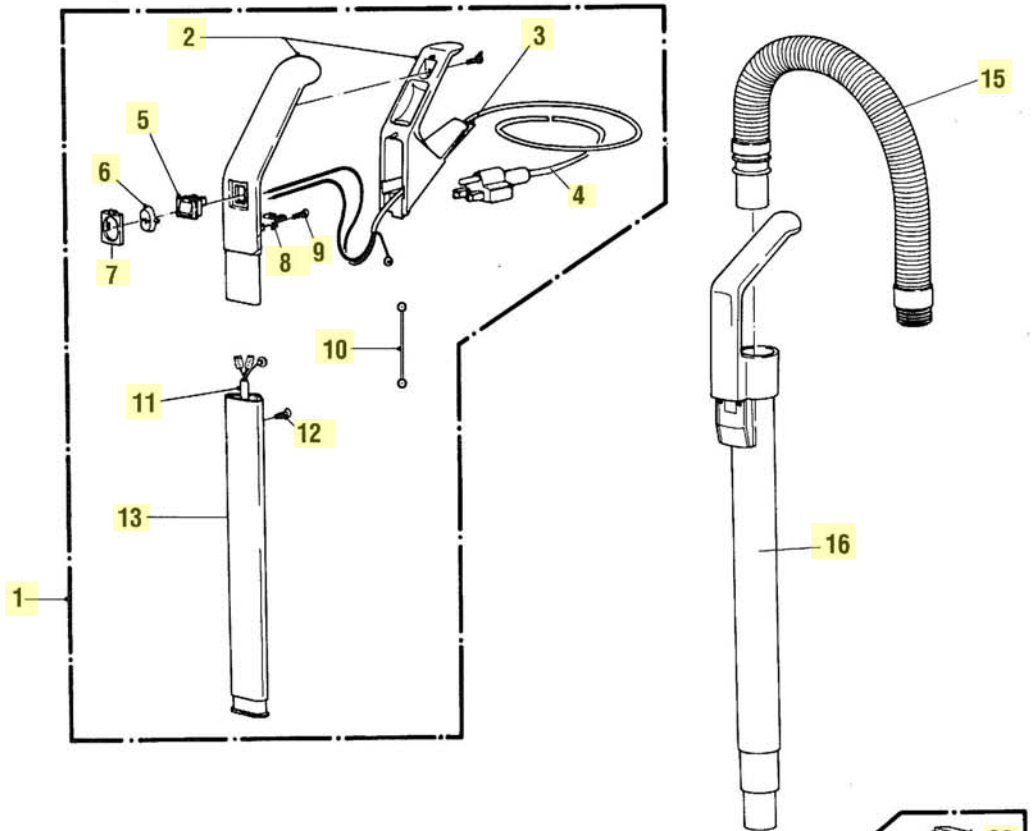
Wiring Diagram / Diagrama de conexiones



1351 West Stanford Ave.
 Englewood, Colorado 80110 USA
 800-444-7654
 303-762-1800
 FAX: 303-762-0817

U.S. Patents: 5,056,175
 4,955,106
 5,028,245

PARTS LIST / SENSOR S12 / 120V



PARTS LIST / SENSOR S12 / 120V

| POS | PRODUCT CODE | PRV NO. | DESCRIPTION |
|-----|--------------|---------|----------------------------------|
| 1 | 86142430 | 5625UL | HANDLE COMPLETE. |
| 2 | 86142340 | 5296EW | HANDLE GRIP, SR GRAY |
| 3 | 86141970 | 5359HG | GROMMET |
| 4 | 86135510 | 23011 | CORD SET, 18/3 SJT RIV X 40' BLU |
| 5 | 86000880 | 0532 | SWITCH / BLUE |
| 6 | 86145640 | 5160BLU | SWITCH CAP |
| 7 | 86145700 | 5161HG | SWITCH CAP HOLDER |
| 8 | 86139280 | 5162 | CABLE CLAMP |
| 9 | 86016900 | 0103 | SCREW C 3,9 x 16 MM DIN 7981 |
| 10 | 86137780 | 0846 | ANTISTATIC-WIRE |
| 11 | 86142310 | 5256ER | HANDLE CABLE 3 WIRE W/CONNECTOR |
| 12 | 86147140 | 0129 | SCREW, M4 x 12MM |
| 13 | 86142300 | 5187 | HANDLE TUBE |
| 14 | 86147030 | 0102 | SCREW M3,9 x 13 DIN 7981 |
| 15 | 86142650 | 5040HG | HOSE, SENSOR GRY |
| 16 | 86141550 | 5045HG | EXTENSION TUBE GRY |
| 17 | 86140830 | 5803HG | COVER |
| 18 | 86145340 | 5319 | SPRING BAG HOLDER |
| 19 | 86140810 | 5706BL | COVER RELEASE, BLUE |
| 20 | 86138050 | 5324 | BAG HOLDER |
| 21 | 86144770 | 5360 | SAFETY CATCH, BAG HOLDER |
| 22 | 86144760 | 5091 | SAFETY CATCH SPRING |
| 23 | 86141860 | 5800WI | FRONT COVER COMPLETE |
| 24 | 86000500 | 5300 | SENSOR FILTER BAG PACK |
| 25 | 86005220 | 5301ER | MICRO HYGIENE FILTER |
| 26 | 86142910 | 5380HG | INTERNAL COVER |
| 27 | 86139290 | 5164 | CABLE CLAMP |
| 28 | 86141620 | 5208 | FILTER SAFETY CATCH |
| 29 | 86145320 | 5210 | SPRING (MICRO FILTER CATCH) |
| 30 | 86139970 | 1073 | CLAMP |
| 31 | 86142290 | 5099 | HANDLE LOCK PLATE |
| 32 | 86143140 | 5098HG | LOCK CATCH GRY |
| 33 | 86143060 | 0187 | LOCK PIN |
| 34 | 86139450 | 5145HG | CARRYING HANDLE GRY |
| 35 | 86145350 | 5146 | STOP SPRING (HOOK) |
| 36 | 86139260 | 5144HG | CABLE HOOK, LT GRY |
| 37 | 86144620 | 5424ER | RETAINING RING, DK GRY |
| 38 | 86141250 | 5281HG | DUST BAG HOUSING, 3WIRE GRY |
| 39 | 86140080 | 1823HG | CLIP, DUST BAG HOUSE-SR12 |
| 40 | 86145280 | 5084 | SPRING LOCKING ROD |
| 41 | 86142880 | 5255ER | INTERNAL CABLE 3WIRE LOOSE CON |
| 42 | 86139320 | 5266 | CABLE CLAMP (FILTER BAG HOUSING) |
| 43 | 86144900 | 5043 | SEAL |
| 44 | 86144930 | 5289 | SEAL, FILTER TUBE |
| 45 | 86144910 | 5163 | SEALM, FILTER BAG HOUSING NECK |
| 46 | 86141120 | 5085HG | DUST BAG HOUSING BUMPER BASE |
| 47 | 86141090 | 5082BLU | DUST BAG HOUSING LOCKING |
| 48 | 86143120 | 5083 | LOCKING ROD, DUST BAG HOLDER |
| 49 | 86141190 | 5215UL | DUST BAG HOUSING, SR'S, 3-WIRE |
| 50 | 86146310 | 1491JE | UPHOLSTERY NOZZLE |
| 51 | 86140860 | 1092JE | CREVICE NOZZLE |

PARTS LIST / SENSOR S12 / 120V

| POS | PRODUCT CODE | PRV NO. | DESCRIPTION |
|-----|--------------|---------|--------------------------------|
| 100 | 86144140 | 2831WI | POWER HEAD COVER S 12, CPL. |
| 101 | 86141400 | 2846 | EXHAUST FILTER |
| 102 | 86141380 | 2820BL | EXHAUST FILTER COVER |
| 103 | 86145910 | 2827UL | SWIVEL NECK ASSEMBLY |
| 104 | 86143180 | 2886 | MALE CONTACT HOLDER |
| 105 | 86139230 | 2494 | CABLE CLAMP |
| 106 | 86147030 | 0102 | SCREW M3, 9x13 DIN 7981 |
| 107 | 86139100 | 2835 | BYPASS VALVE |
| 108 | 86142790 | 0869 | INTERNAL CABLE |
| 109 | 86145900 | 2825 | SWIVEL NECK BEARING |
| 110 | 86145890 | 2824 | SWIVEL NECK SUPPORT R.H. |
| 111 | 86146110 | 5479 | SWIVEL NECK SUPPORT L.H. |
| 112 | 86146130 | 5717 | SWIVEL NECK BEARING |
| 113 | 86143800 | 2890ER | PCB POWER SUPPLY |
| 114 | 86142780 | 0864 | INTERNAL CABLE, RIBBON |
| 115 | 86138820 | 5713BL | BRUSH ROLLER RELEASE |
| 116 | 86145290 | 5103 | SPRING |
| 117 | 86137980 | 5051HG | AXLE ASSEMBLY GRY |
| 118 | 86137990 | 5053 | AXLE |
| 119 | 86293260 | 5059OR | FOOT PEDAL, ORANGE |
| 120 | 86146570 | 2010 | WHEEL RETURN SRPING |
| 121 | 86146670 | 5819HG | WHEEL, GRAY. |
| 122 | 86140000 | 2014 | CLAMP CONNECTING ROD AXLE |
| 123 | 86004950 | 5010WI | BRUSH ROLLER 12" |
| 124 | 86138170 | 5287BLU | BEARING BLK, RH SR12 BLU/GRY |
| 125 | 86144700 | 2869HG | RUBBING PLATE |
| 126 | 86137700 | 2868OR | ACCESS DOOR |
| 127 | 86138000 | 5303 | ACCESS DOOR AXLE |
| 128 | 86145330 | 5304 | ACCESS DOOR SPRING |
| 129 | 86143850 | 2861 | PILE ADJUSTMENT AXLE |
| 130 | 86143920 | 5174hg | PILE ADJUSTMENT WHEEL GRY |
| 131 | 86137920 | 2849 | AXLE CLAMP |
| 132 | 86144860 | 01010 | SCREW M4 x 16, DIN 7985 |
| 133 | 86140620 | 2860HG | COVER |
| 134 | 86146220 | 2833 | THRUST MEMBER |
| 135 | 86143860 | 2862HG | PILE ADJUSTMENT KNOB |
| 136 | 86146230 | 2834 | THRUST MEMBER |
| 137 | 86140010 | 2856 | CLAMP |
| 138 | 86145250 | 2867 | SPRING |
| 139 | 86139730 | 2821HG | CHASIS SSRS 12, CPL |
| 140 | 86138280 | 5411HG | BOTTOM PLATE,FRT,CLP,GRY, SR12 |
| 141 | 86144520 | 2829HG | REAR BOTTOM PLATE SRS12, CPL |
| 142 | 86144850 | 0197 | SCR, M4 X 12 MM W/WASHER |
| 143 | 86146790 | 5401 | WIRE TIE, BOTTOM PLATE, OUTER |
| 144 | 86146800 | 5402 | WIRE TIE, BOTTOM PLATE, CENTER |
| 145 | 86138940 | 5005HG | BUMPER GRY (2PC SR12) |
| 146 | 86139400 | 05117S | CARBON BRUSH SET 100-120V |
| - | 86146210 | 05135ST | THERMO SWITCH VAC |
| - | 86143630 | 5469 | MOTOR 1000 W / 120 V |
| 147 | 86143620 | 5462 | VACUUM MOTOR PULLEY 2MR |
| 148 | 86144710 | 5100 | RUBBER MOUNTING |
| 149 | 86143490 | 2826BL | MOTOR COVER |
| 150 | 86140610 | 2839SW | COVER FOR AIR CHANNEL |
| 151 | 86145470 | 5129 | SUPPORT LEVER |
| 152 | 86145460 | 5107 | SUPPORT SPRING |
| 153 | 86143570 | 5112SW | MOTOR PULLEY COVER |
| 154 | 86140150 | 2881ER | COMPUTER CONTROLLER |
| 155 | 86147160 | 0107 | SCREW 2.9 x 13 |
| 156 | 86147190 | 0143 | WASHER 3.2 |
| 157 | 86145050 | 5464 | SENSOR X4 CPL |
| 158 | 86143580 | 5117 | MOTOR PULLEY |
| 159 | 86147050 | 0104 | SCREW M3.9 x 25 MM |
| 160 | 86138240 | 5463 | BELT 2MR-310-6 |
| 161 | 86005000 | 5110 | BELT HTD-II-6, 219 3M |
| 162 | 86138200 | 5766HG | BEARING BLOCK L.H. CPL. |
| 163 | 86147040 | 0103 | SCREW C 3.9 x 16 DIN 7981 |
| 164 | 86146540 | 0140 | WASHER |
| 165 | 86147170 | 0176 | SCREW M4 X 30 |