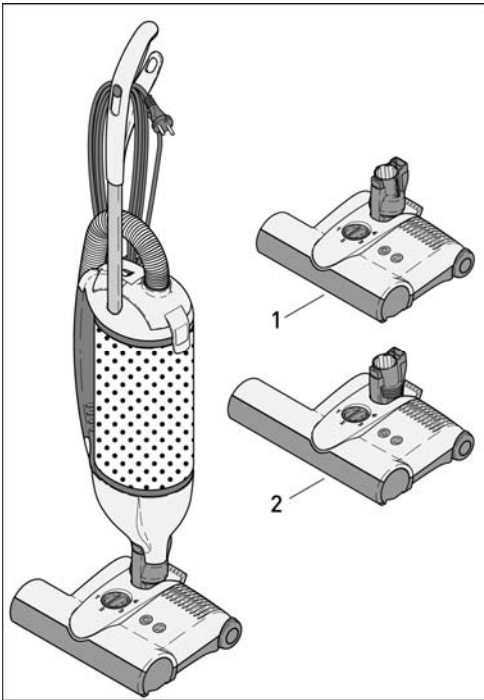
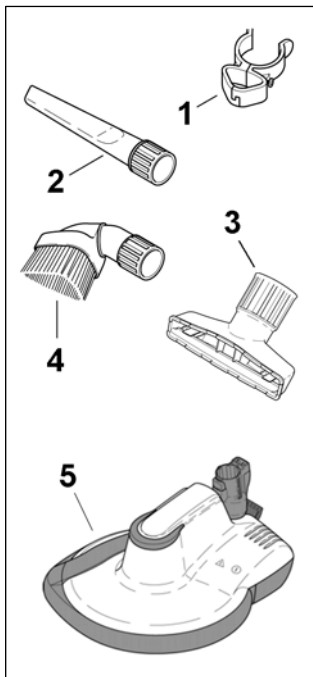


POWER HEAD

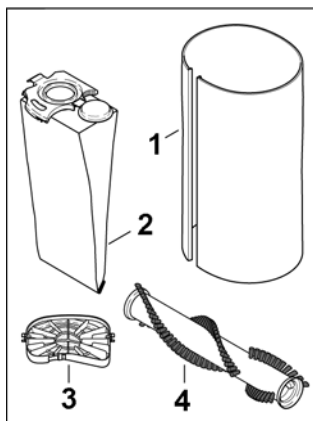


Ref	Part No.	Description	Notes
1	86324000	POWER HEAD 12"	Axcess 12
2	86324010	POWER HEAD 15"	Axcess 15



OPTIONAL ATTACHMENTS

Ref	Part No.	Prv. No.	Description	Notes
1	86322440	1081DG	CLIPS, ATTACHMENT, DK GRAY	
2	86322450	1092DG	CREVICE TOOL, DK GRY	
3	86146290	1491DG	UPHOLSTERY NOZZLE, DK GRY	
4	86138400	1094DG	DUSTING BRUSH, DK GRAY	
5	86323990	-	AXCESS POLISHER POWER HEAD	

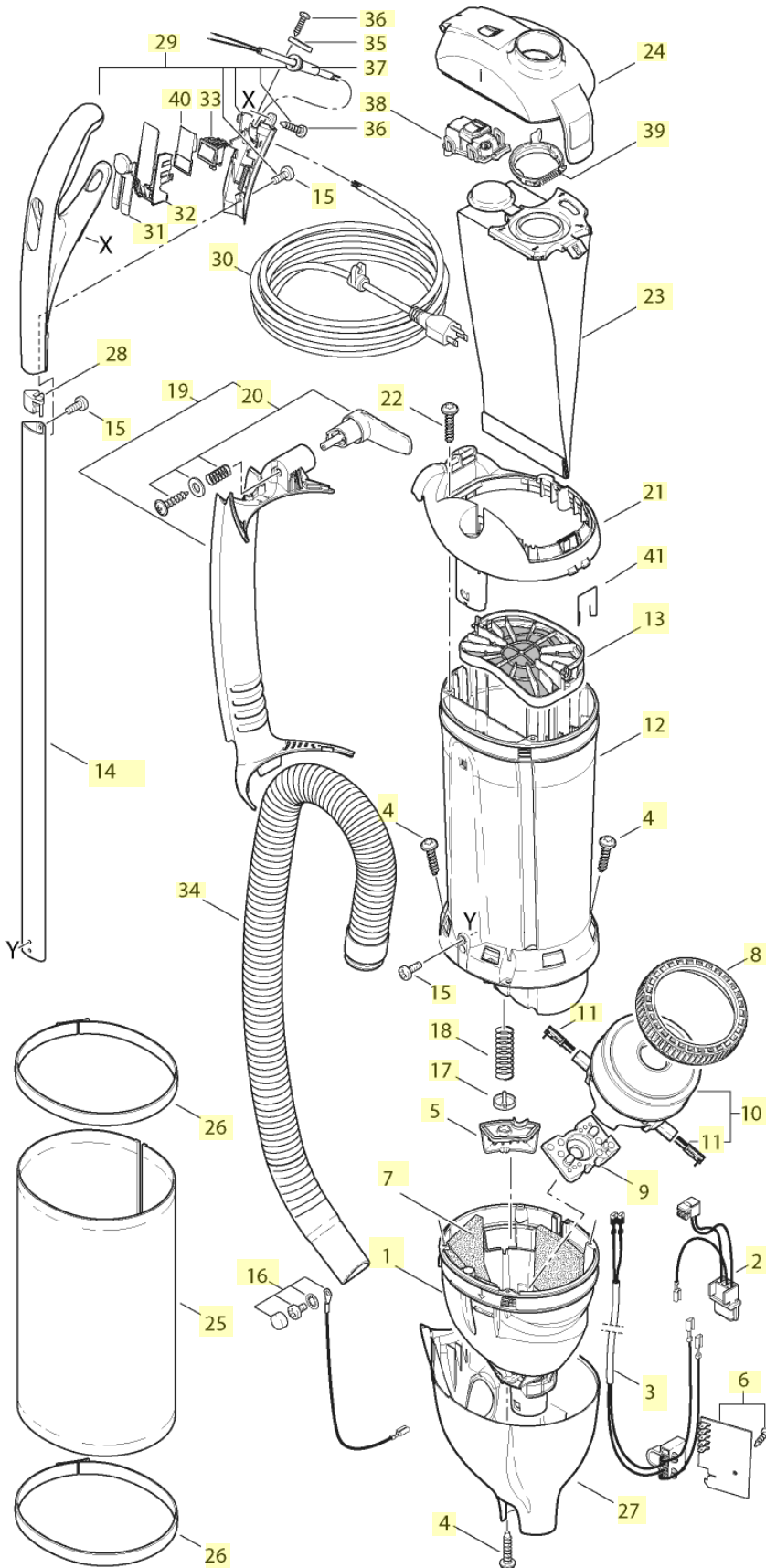


SPARE PARTS

Ref	Part No.	Prv. No.	Description	Notes
1	86309330	-	FILTER, EXHAUST	
2	86284790	7029WI	FILTER BAG	
3	86284770	7012	FILTER, MOTOR PROTECTION	
4A	86004950	5010WI	BRUSH ROLLER 12"	Axcess 12
4B	86138490	2838WI	BRUSH ROLLER 15"	Axcess 15

AXCESS 12

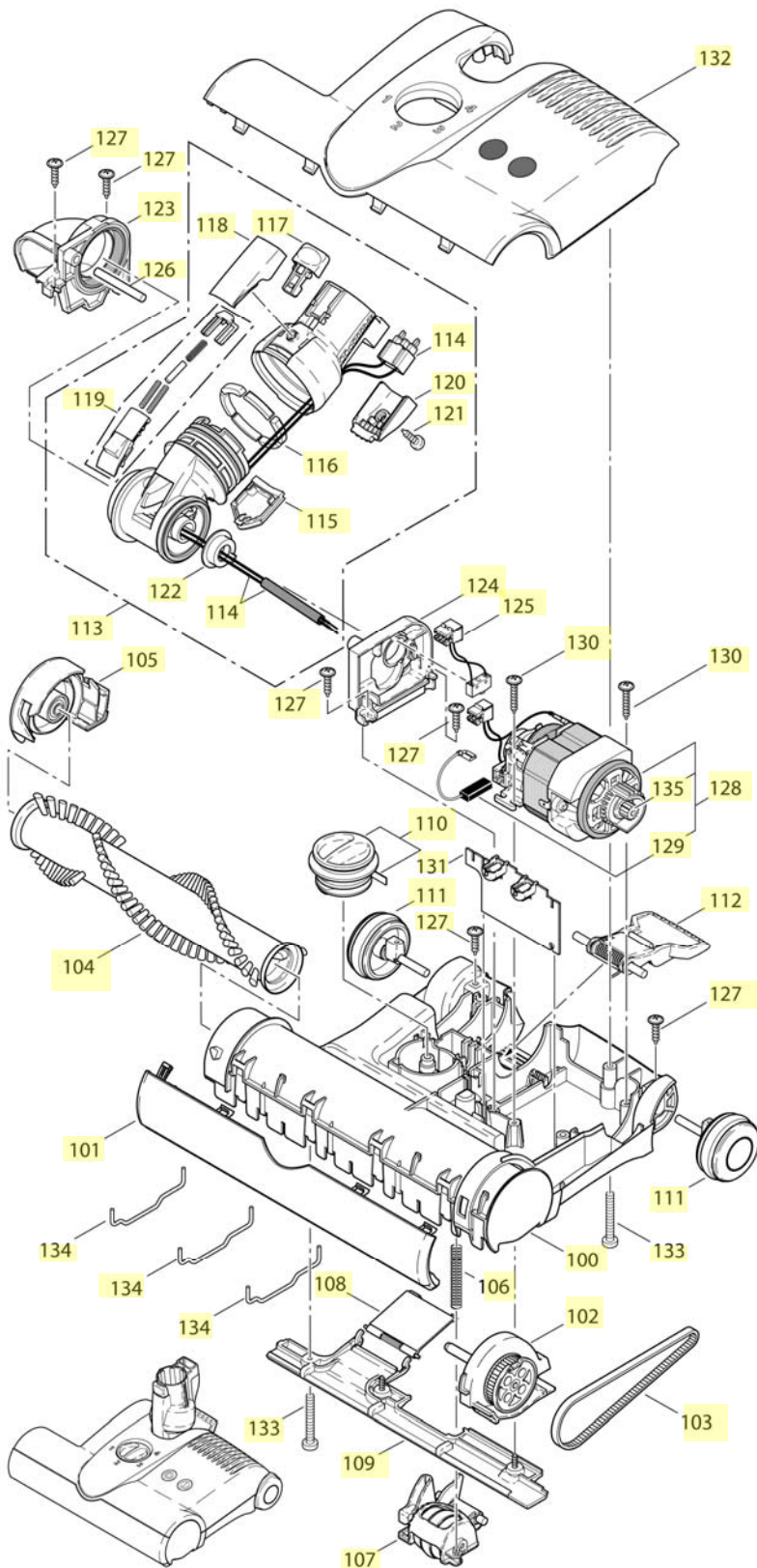
120V



POS.	PRODUCT CODE	PRV NO.	DESCRIPTION
1	86137750	7135DG	AIR DUCT
2	86146820	7065	INTERNAL WIRING ET
3	86142920	7096	INTERNAL CABLE
4	86144780	01016ER	SCR, 4X16-T20 STS
5	86146510	7057HG	VALVE COVER
6	86139960	7102ER	PRINTED CIRCUIT BOARD 120V
7	86145180	7098	SOUND INSULATION
8	86146380	1047	VAC MOTOR SEAL
9	86144740	7009	RUBBER MOUNTING
10	86143660	7041ER	VAC MOTOR 120V
11	86138380	05140S	CARBON BRUSH SET
12	86324770	7001WI	DUST BAG HOUSING
13	86324770	7012	FILTER, MOTOR PROTECTION
14	86142510	7080ER	HANDLE TUBE
15	86144830	0127ER	SCR M 4X10
16	86146830	7068ER	INTERNAL WIRING
17	86146490	7025	VALVE DISC
18	86322520	7028	VALVE SPRING
19	86142680	7090HG	HOSE DUCT
20	86139340	7027HG	CABLE HOOK
21	86309310	-	COVER, DUST BAG HOUSING HG
22	86144790	01017ER	SCR, 4X20-T20 STS
23	86284790	7029WI	FILTER BAG
24	86309320	-	FILTER COVER HG
25	86309330	-	EXHAUST FILTER HG
26	86141460	7017 HG	EXHAUST FILTER CLAMP
27	86309340	-	LOWER HOUSING HG
28	86146250	7076HG	TUBE PLUG
29	86142520	7163HG	HANDLE GRIP CPL
30	86139350	7126BL	CABLE 120V, US
31	86145140	7035BL	SLIDING BUTTON
32	86142500	7073HG	HANDLE FRAME
33	86145480	05138	ROCKER SWITCH, 2 POL.
34	86142670	7050SB	HOSE DUCT
35	86139110	1030UL	CABLE CLAMP
36	86016900	0103ER	SCREW C 3,9X16
37	86292570	-	CABLE GROMMET
38	86141670	7094ER	FILTER INDICATOR, CPL.
39	86144630	7018OR	RETAINING RING, CPL.
40	86309880	7142	PROTECTION FILM
41	86324820	7024	SPRING LATCH FILTER COVER

ACCESS 12

120V



POS.	PRODUCT CODE	PRV NO.	DESCRIPTION
100	86324780	2324DG	CHASSIS ET1 12" DG
101	86324790	2302DG	BUMPER 12" DG
102	86322230	2314DG	BEARING BLOCK LEFT CPL. DG
103	86138220	2923	BELT 333 3M HTDII-6
104	86004950	5010WI	BRUSH ROLLER 12"
105	86324810	2313DG	BEARING BLOCK RH DG
106	86145260	2929	SPRING
107	86324820	2316DGx	ASM PILE ADJUST DG
108	86137710	2909VO	ACCESS DOOR
109	86143990	2304HG	REAR BOTTOM PLATE, 12"
110	86139090	2931HG	PILE ADJUST BUTTON
111	86324830	2306DG	WHEEL DG
112	86141710	2937OR	FOOT PEDAL
113	86324840	2308DG	SWIVEL NECK ASM TS DG
114	86146810	0877	WIRING SWIVEL NECK
115	86324850	2947DG	COVER, TS-NECK DG
116	86144990	2950ER	SEGMENTS, TS-NECK
117	86139080	1737ER	RELEASE BUTTON DG
118	86324870	2952DG	BUTTON COVER TS-NECK DG
119	86324880	2945DG	SWIVEL NECK SLIDE DG
120	86324890	2951DG	SOCKET COVER TS-NECK DG
121	86144820	01027ER	SCR F 3.9X9.5 DIN 7981
122	86138140	2954	SWIVEL NECK BEARING
123	86145400	2311	SWIVEL NECK SUPPORT, RH
124	86145410	2312	SWIVEL NECK SUPPORT, LH
125	86350180	0880	SWITCH SWIVEL NECK
126	86137930	2928	AXLE
127	86144810	01021ER	SCR F3.9X13 DIN 968
128	86143500	2973ER	BRUSH MOTOR 12V 175W
129	86138390	05141S	BRUSH SET, CARBON VAC MTR
130	86144800	01020ER	SCR, F3.9X21 DIN 968
131	86144160	2983ER	POWER SUPPLY ET1 175W
132	86324900	2320HGAX	COVER POWER HEAD ET1 ACCESS 12"
133	86144840	0176TER	SCR M4X30 DIN 7985 (PKG10)
134	86146800	5402	WIRE TIE
135	86309030	-	BRUSH MOTOR PULLEY FM