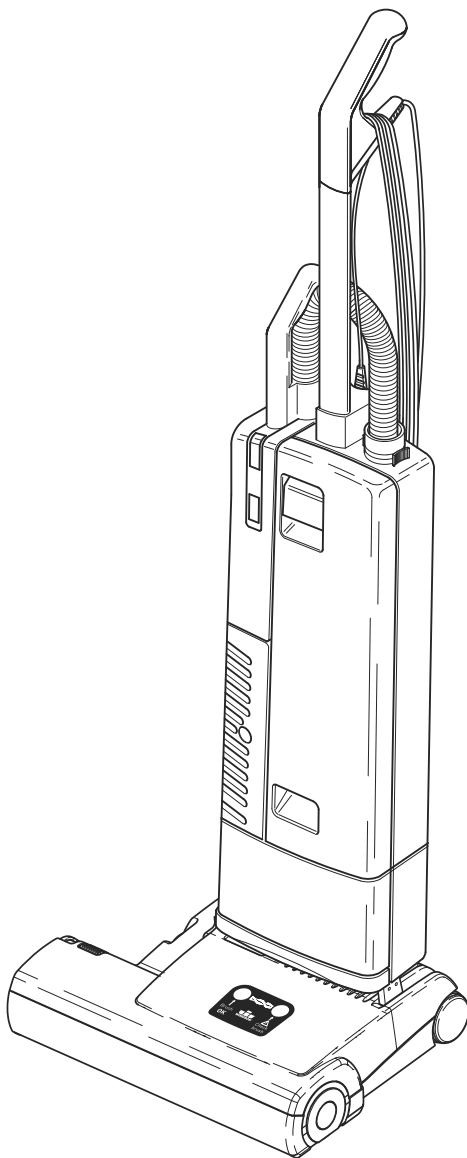


VERSAMATIC 120V *plus*



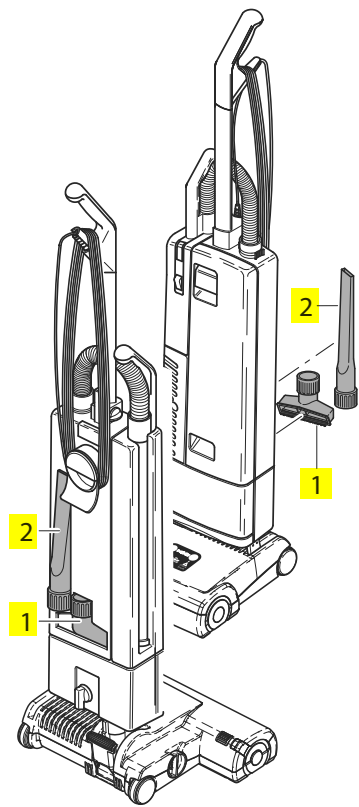
Operating instructions (ENG)

MODELS: 1.012-052.0
 VSP14
 1.012-053.0
 VSP18

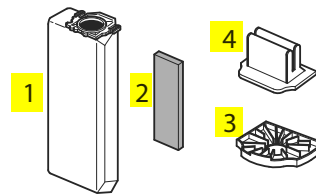


Read these instructions before using the machine.

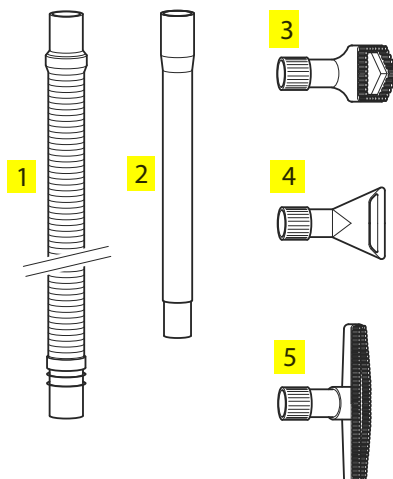
Parts List



ATTACHMENTS



BAGS & FILTERS



OPTIONAL ATTACHMENTS

ACCESSORIES

ITEM	PART NO.	PRV. NO	QTY	DESCRIPTION	NOTES
1	86146300	1491HG	-	UPHOLSTERY NOZZLE	
2	86140870	1092WS	-	CREVICE TOOL WHT	

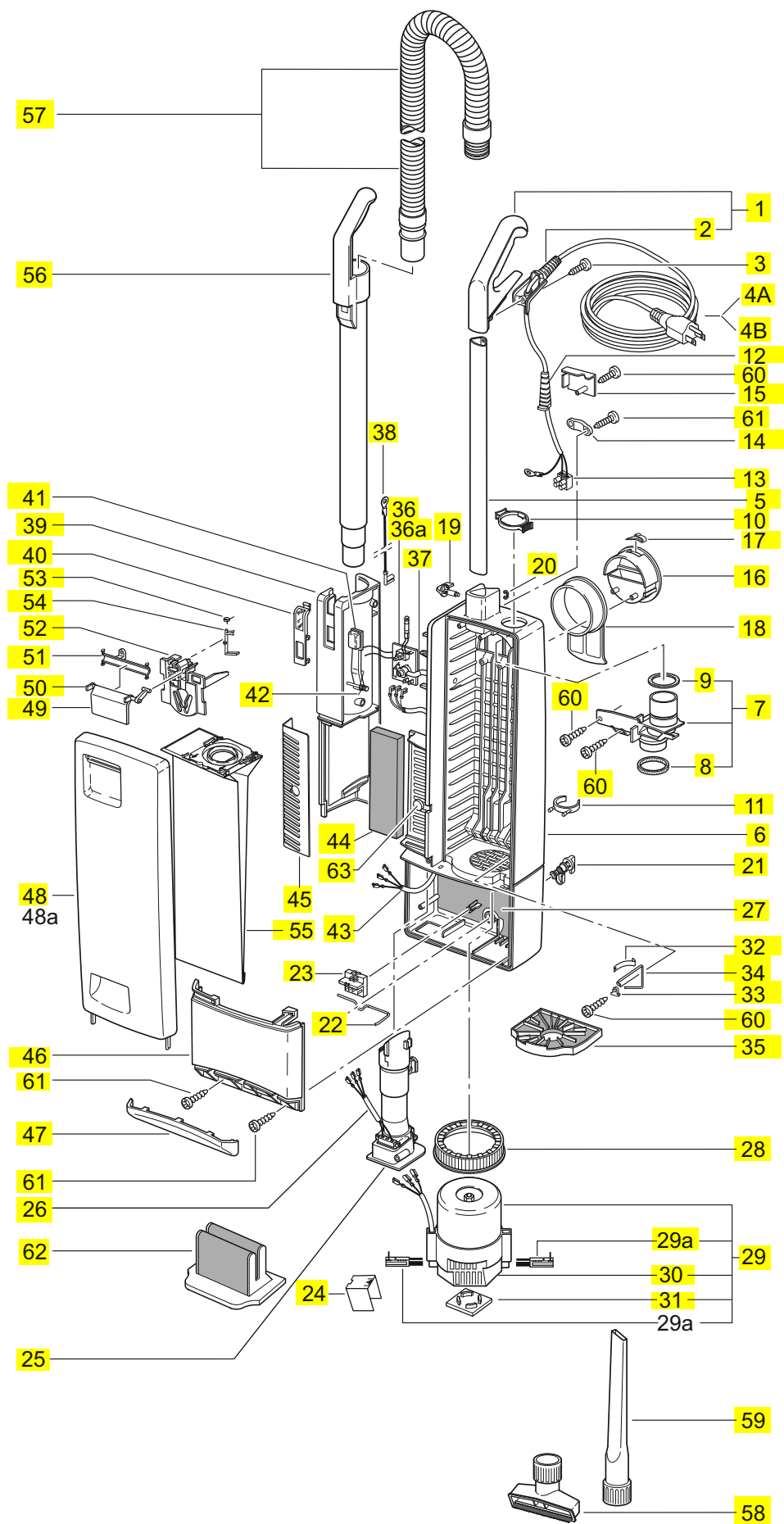
BAGS & FILTERS

ITEM	PART NO.	PRV. NO	QTY	DESCRIPTION	NOTES
1	86000500	5300	-	FILTER BAG PACK	
2	86141370	1878	-	EXHAUST FILTER 34/470	
3	86143430	1825	-	MOTOR FILTER	
4	86142690	1875	-	HOSPITAL GRADE FILTER	

OPTIONAL ATTACHEMENTS

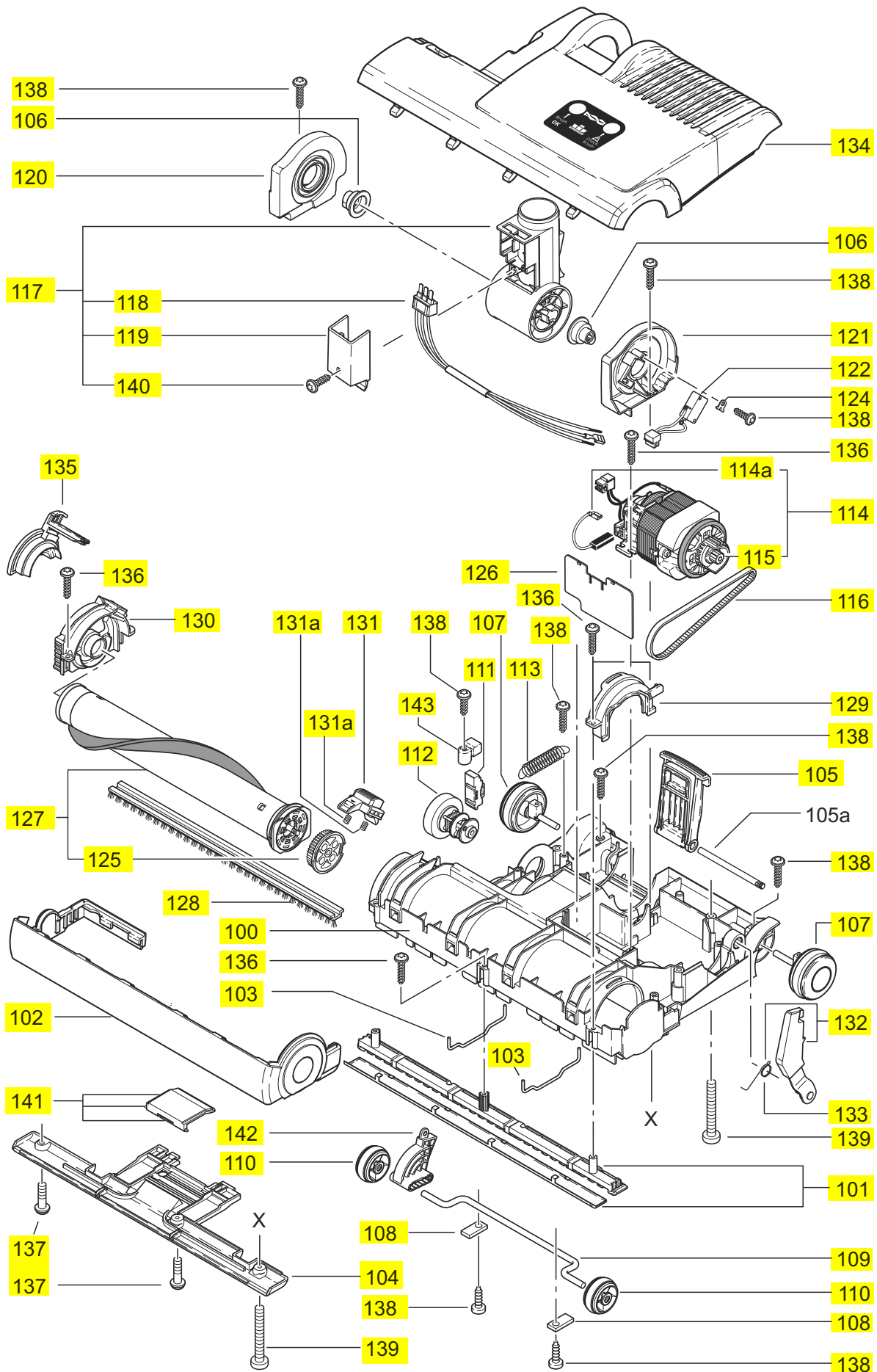
ITEM	PART NO.	PRV. NO	QTY	DESCRIPTION	NOTES
1	86137690	1495KN	-	EXTENSION HOSE	
2	86141510	1084	-	EXTENSION TUBE	
3	86144680	1094	-	ROUND BRUSH VSM-TK	
4	86146250	1090	-	UPHOLSTERY TOOL	
5	86146530	1325HG	-	WALL AND FLOOR BRUSH	

Upper Housing



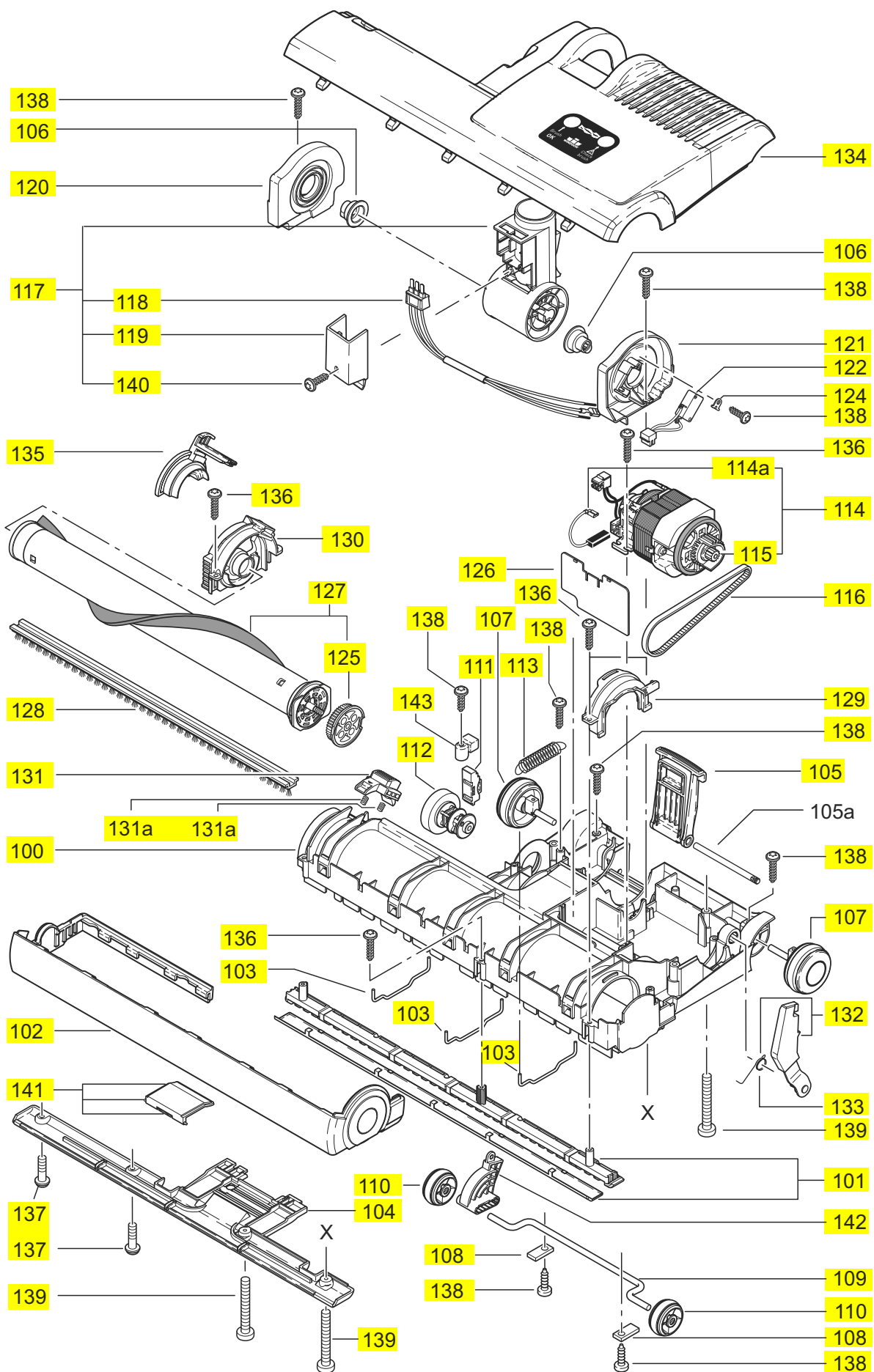
ITEM	PART NO.	PRV NO.	DESCRIPTION	NOTES
1	86142050	1037EH	HANDLE GRIP, COMPLETE	
2	86142120	1596hg	HANDLE COVER	
3	86144830	0127ER	SCR, M4 X 10	
4A	86139210	1918	CABLE VS18 - 17/3 AWG	
4B	86139190	1910	CABLE VS14	
5	86142150	1848	HANDLE	
6	86141070	1832hg	DUST BAG HOUSING	
7	86142840	1835hg	INTERNAL COVER 370/470	
8	86144930	5289	SEAL, FILTER TUBE	
9	86144900	5043	SEAL	
10	86144620	5424ER	RETAINING RING, DK.GRY	
11	86140080	1823hg	CLIP, DUST BAG HOUSE-SR12	
12	86141970	5359HE	GROMMET	
13	86146170	0502	TERMINAL BLOCK	
14	86139110	1030UL	CABLE CLAMP	
15	86140430	1812hg	COVER, VSE BRUSH STRIP	
16	86139430	1814hg	CARRYING HANDLE	
17	86145350	5146	STOP SPRING (HOOK)	
18	86139170	1813hg	CABLE HOOK	
19	86352680	1859dg	HANDLE CATCH	
20	86140040	0161	CLIP 4 DIN 6799	
21	86143080	0850dg	LOCKING CATCH	
22	86143100	1811	LOCKING ROD	
23	86146200	1265UL	TERMINAL BLOCK	
24	86140420	1524	COVER, TERMINAL BLOCK	
25	86140220	1807hg	CONNECTOR	
26	86141590	1837	FEMALE CONTACT HOLDER	
27	86145170	1851	SOUND INSULATION	
28	86146380	1047	VAC MOTOR SEAL	
29	86146410	1843	VAC MOTOR	
29a	86139400	05117S	CARBON BRUSH SET 100/120V	
30	86143410	1821UL	MOTOR COVER	
31	86352880	1822-1	MOTOR SUPPORT VSP	
32	86143010	1027	LEAF SPRING	
33	86139970	1073	CLAMP	
34	86140230	1824	CONNECTING ROD	
35	86143430	1825	MOTOR FILTER	
36	86143760	1903	PC BOARD COVER	
36a	86139950	1936ER	CIRCUIT BOARD 120V 3-P UL	
37	86141680	1860	FITTING	
38	86141990	0851UL	GROUNDING WIRE	
39	86146470	1852WI	VACUUM TUBE COVER	
40	86143040	1869hg	LENS, BAG LIGHT INDICATOR	
41	86145580	1830bl	SWITCH BUTTON	
42	86145220	1862	SPRING	
43	86142830	1834	INTERNAL CABLE	
44	86141370	1878	EXHAUST FILTER 370/470	
45	86141360	1802hg	EXHAUST FILTER COVER	
46	86373630	1853WI1	MOTOR COVER 370/470 DUAL MOTOR	
47	86141050	1804hg	DUST BAG HOUSING BUMPER	
48	86141750	1846WI	FRONT COVER COMPLETE	
48a	86141840	5454	FRONT COVER SEAL	
49	86140440	1818bl	COVER RELEASE	
50	86144970	6040	SEAL, RELEASE COVER	
51	86143940	1819	PLASTIC AXLE COVER	
52	86138040	1847	BAG HOLDER, CPL	
53	86144760	5091	SAFETY CATCH SPRING	
54	86144750	1817	SAFETY CATCH	
55	86000500	5300	SENSOR FILTER BAG PACK (10PK)	
56	86141550	5045hg	EXTENSION TUBE, GRY	
57	86142650	5040sb	HOSE, SENSOR GRY	
58	86146310	1491JE	UPHOLSTERY NOZZLE	
59	86140860	1092JE	CREVICE NOZZLE	
60	86147030	0102ER	SCR, M3,9 X 13 MM DIN 7981	
61	86147040	0103ER	SCR, M3,9 X 16 MM DIN 7981	
62	86142690	1875	HOSPITAL GRADE FILTER	
63	86144610	1884hg	RETAINING BUTTON	

Power Head-VSP 14



ITEM	PART NO.	PRV NO.	DESCRIPTION	NOTES
100	86363130	20200HG	CHASSIS 14"	
101	86363140	20204ER	REAR BOTTOM PLATE	
102	86363150	20109ER	BUMPER	
103	86363160	20115	RETAINING BRACKET	
104	86363170	20107ER	REAR BOTTOM PLATE	
105	86363180	20230ER	FOOT PEDAL	
105a	86378430	20140ER	AXLE, FOOT PEDAL	
106	86363190	20136ER	SWIVEL NECK BEARING	
107	86146600	2306HG	WHEEL	
108	86363200	2014ER	AXLE CLAMP	
109	86363210	20126ER	PILE ADJUSTMENT AXLE	
110	86146610	2608hg	PILE ADJUSTMENT WHEEL	
111	86146220	2833	THRUST MEMBER	
112	86363220	20128ER	ADJUSTMENT BUTTON	
113	86145270	4019	SPRING	
114	86143500	2973ER	BRUSH MOTOR 120V, 175W	
114a	86138390	05141S	BRUSH SET, CARBON VAC MTR	
115	86309030	2319	BRUSH MOTOR PULLEY FM	
116	86138220	2923	BELT, 333 3M HTDII-6	
117	86363680	20229UL	SWIVEL NECK ASSEMBLY UL-VERSION	
118	86363700	0896WI	WIRE, SWIVEL NECK 3-WIRE	
119	86145840	2602hg	SWIVEL NECK COVER	
120	86363260	20217ER	SWIVEL NECK SUPPORT	
121	86363270	20218ER	SWIVEL NECK SUPPORT L.H	
122	86363710	0897ER	SWITCH LEVER	
124	86139970	1073	CLAMP	
125	86363280	2919ER	BRUSH PULLEY	
126	86363720	20162ER	PRINTED CIRCUIT BOARD 120V 175W 14"	
127	86363300	4098ER	BRUSH ASSEMBLY CPL	
128	86002440	2046	BRUSH STRIP 14"	
129	86363310	20123ER	BEARING BLOCK L.H.	
130	86363320	20117ER	BEARING BLOCK R.H.	
131	86363330	20120ER	BRUSH ROLLER RELEASE	
131a	86363340	20121ER	SPRING	
132	86145450	2653hg	SUPPORT LEVER	
133	86345580	2651	RETURN SPRING	
134	86363730	20220VSP	POWER HEAD COVER VSP 14"	
135	86363360	20118ER	SIDE PLATE	
136	86144790	01017ER	SCR, 4X20-T20 STS	
137	86144850	0197ER	SCR,M4X12 MM W/WASHER	
138	86363370	01036ER	SCREW M4 X 14	
139	86147170	0176	SCREW M4 X 30	
140	86147030	0102ER	SCR, M3,9 X 13 MM DIN 7981	
141	86363390	20124ER	ACCESS DOOR	
142	86363400	20127ER	LEVER	
143	86363410	20129ER	LEAF	

Power Head-VSP 18



ITEM	PART NO.	PRV NO.	DESCRIPTION	NOTES
100	86363460	20202HG	CHASSIS 18"	
101	86363470	20205ER	REAR BOTTOM PLATE	
102	86363480	20110ER	BUMPER	
103	86363160	20115	RETAINING BRACKET	
104	86363490	20108ER	REAR BOTTOM PLATE	
105	86363180	20230ER	FOOT PEDAL	
105a	86378430	20140ER	AXLE, FOOT PEDAL	
106	86363190	20136ER	SWIVEL NECK BEARING	
107	86146600	2306HG	WHEEL	
108	86363200	2014ER	AXLE CLAMP	
109	86363210	20126ER	PILE ADJUSTMENT AXLE	
110	86146610	2608hg	PILE ADJUSTMENT WHEEL	
111	86146220	2833	THRUST MEMBER	
112	86363220	20128ER	ADJUSTMENT BUTTON	
113	86145270	4019	SPRING	
114	86363500	3261ER	BRUSH MOTOR 120V	
114a	86138390	05141S	BRUSH SET, CARBON VAC MTR	
115	86309030	2319	MOTOR PULLEY	
116	86138220	2923	BELT, 333 3M HTDII-6	
117	86363680	20229UL	SWIVEL NECK ASSEMBLY UL-VERSION	
118	86363700	0896WI	WIRE, SWIVEL NECK 3-WIRE	
119	86145840	2602hg	SWIVEL NECK COVER 370/470	
120	86363260	20217ER	SWIVEL NECK SUPPORT	
121	86363270	20218ER	SWIVEL NECK SUPPORT L.H	
122	86363710	0897ER	SWITCH LEVER	
124	86139970	1073	CLAMP	
125	86363280	2919ER	BRUSH PULLEY	
126	86363740	20166ER	PRINTED CIRCUIT BOARD 120V 200W 18"	
127	86372960	4099ER	BRUSH ASSEMBLY CPL 18"	
128	86001640	4028	BRUSH STRIP, 18" MODEL U19840	
129	86363310	20123ER	BEARING BLOCK L.H.	
130	86363320	20117ER	BEARING BLOCK R.H.	
131	86363330	20120ER	BRUSH ROLLER RELEASE	
131a	86363340	20121ER	SPRING	
132	86145450	2653hg	SUPPORT LEVER	
133	86345580	2651	SPRING VSE RETURN	
134	86363750	20221VSP	POWER HEAD COVER VS 18"	
135	86363360	20118ER	SIDE PLATE	
136	86144790	01017ER	SCR, 4X20-T20 STS	
137	86144850	0197ER	SCR,M4X12 MM W/WASHER	
138	86363370	01036ER	SCREW M4 X 14	
139	86147170	0176	SCREW M4 X 30	
140	86147030	0102ER	SCR, M3,9 X 13 MM DIN 7981	
141	86363390	20124ER	ACCESS DOOR	
142	86363400	20127ER	LEVER	
143	86363410	20129ER	LEAF	

Wiring Diagram

