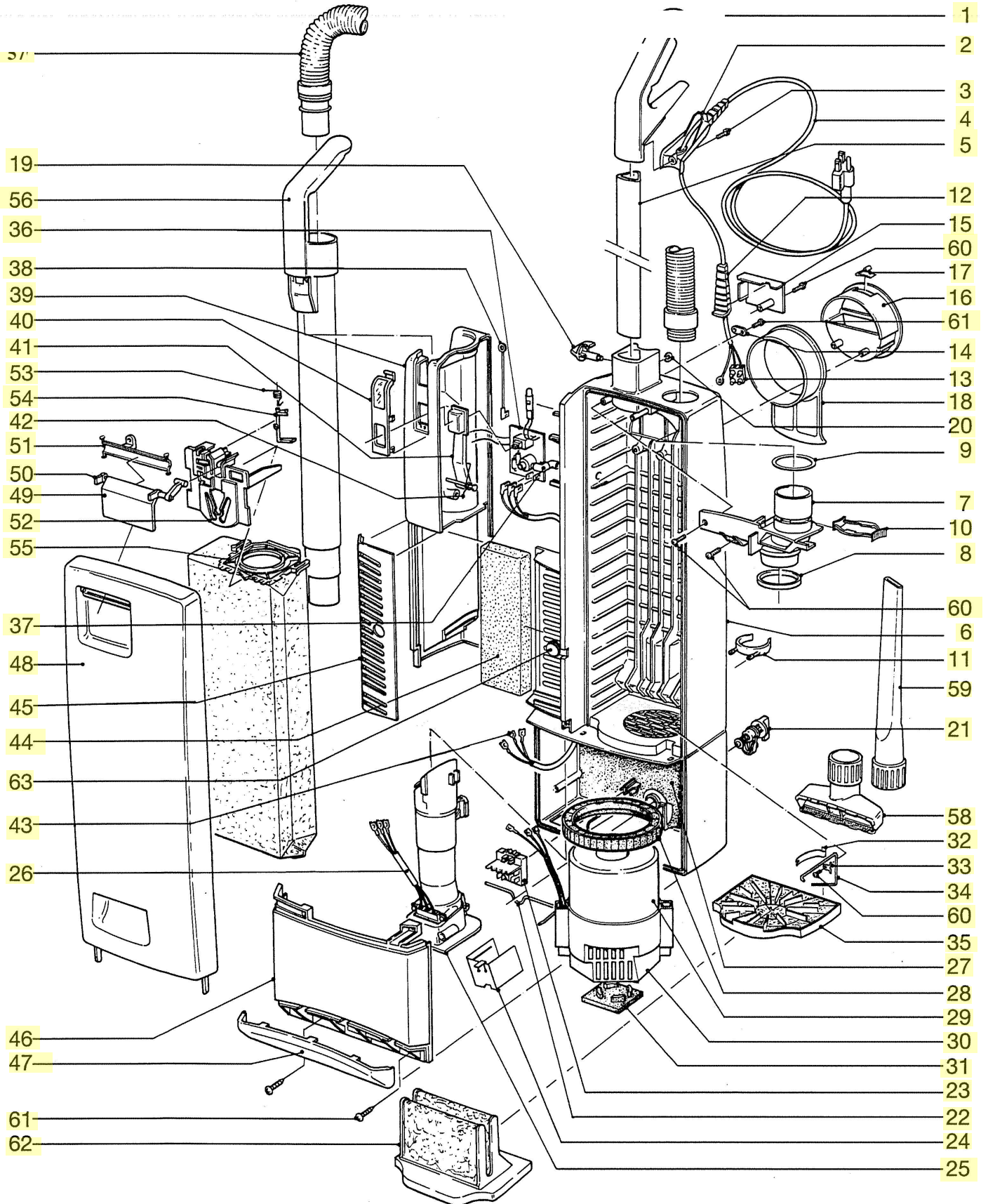


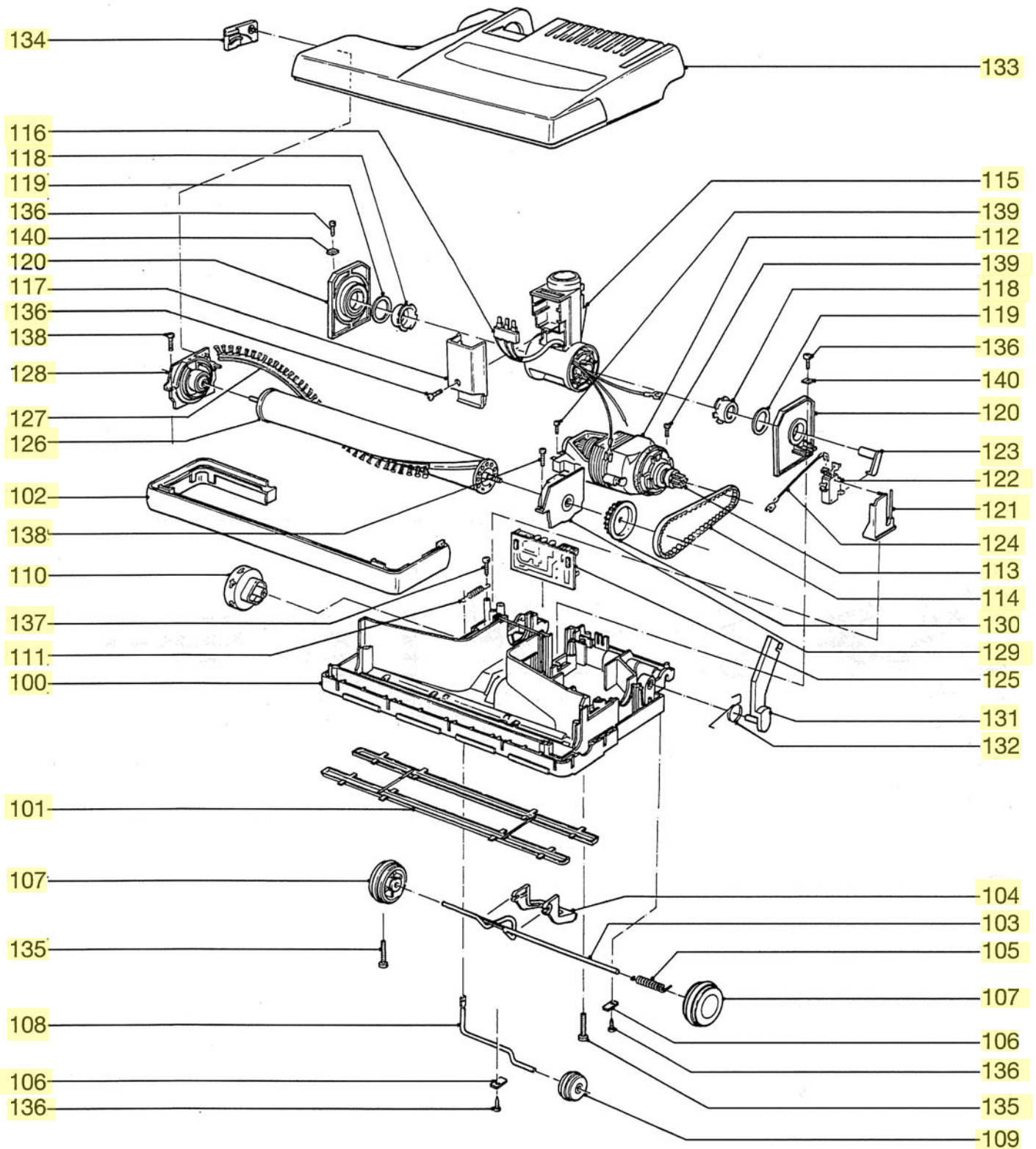
PARTS LIST / VSP14/18 / 120V



PARTS LIST / VSP14/18 / 120V

POS	PRODUCT CODE	PRV NO.	DESCRIPTION	DESIGNATION
1	86142050	1037EH	HANDLE GRIP, COMPLETE	POIOGNEE (INCL. POS. 2)
2	86142120	1596HG	HANDLE COVER	COUVERCLE DE POIGNEE
3	86147120	0127	SCR, M4 X 10 MM TAPTITE	VIS M4 X 10
4	86135510	23011	CORD SET, 18/3 SJT RIB X 40' BLU	CABLE (VSP14 & VSP18)
5	86142150	1848	HANDLE	MANCHE ALUMINIUM
6	86141070	1832HG	DUST BAG HOUSING	LONGEMENT SAC POUSSIERE
7	86142840	1835HG	INTERNAL COVER 370/470	COUVERCLE
8	86144930	5289	SEAL, FILTER TUBE	JOINT DE CAOTCHOUC
9	86144900	5043	SEAL	JOINT DE CAOTCHOUC
10	86144620	5424DG	RETAINING RING, DK. GRY	CLIP PLASTIQUE
11	86140080	1823HG	CLIP, DUST BAG HOUSE-SR12	CLIPS DE FIXATION ACCESSOIRES
12	86141970	5359HG	GROMMET	PASSE CABLE
13	86146170	0502	TERMINAL BLOCK	BARRETTE DE CONNEXION
14	86139110	1030UL	CABLE CLAMP	BRIDE DE SERRAGE
15	86140430	1812HG	COVER	COUVERCLE
16	86139430	1814HG	CARRYING HANDLE	SUPPORT CROCHET DE CABLE
17	86145350	5146	STOP SPRING (HOOK)	RESSORT
18	86139170	1813HG	CABLE HOOK	PROLONGEMENT BLOC
19	86142160	1859HG	HANDLE CATCH	VERROU DE MANCHE
20	86140040	0161	CLIP 4 DIN 6799	CLIPS
21	86143080	0850DG	LOCKING CATCH	VERROU
22	86143100	1811	LOCKING ROD	BAGUETTE
23	86146200	1265UL	TERMINAL BLOCK	BOITIER DE RACCORD
24	86140420	1524	COVER, TERMINAL BLOCK	COUVERCLE
25	86140220	1807HG	CONNECTOR	TUBE DE CONNEXION
26	86141590	1837	FEMALE CONTACT HOLDER	PRISE FEMELLE
27	86145170	1851	SOUND INSULATION	ISOLATION PHONIQUE
28	86146380	1047	VAC MOTOR SEAL	JOINT MOTEUR D'ASPIRATION
29	86146410	1843	VAC MOTOR	TURBINE ASPIR. 120 V 900 W
	86139390	0511/1	CARBON BRUSH SET VAC MTR	CHARBON P. TURBINE ASPIRATION
30	86143400	1821	MOTOR COVER	COUVERCLE MOTEUR
31	86143420	1822	MOTOR SUPPORT	SUPPOR DE MOTEUR
32	86143010	1027	LEAF SPRING	RESSORT
33	86139970	1073	CLAMP	BRIDE DE SERRAGE
34	86140230	1824	CONNNECTING ROD	TRINGLE SECURITE
35	86143430	1825	MOTOR FILTER	FILTRE MOTEUR D'ASPIRATION
36	86139950	1936ER	CIRCUIT BOARD 120V 3-P UL	CIRCUIT IMPRIME 120 V 3-P
	86143760	1903	PC BOARD COVER	COUVERCLE CIRUIT IMPRIME
37	86141680	1860	FITTING	CONNEXION AIR
38	86141990	0851UL	GROUNGING WIRE	CABLE
39	86146470	1852WI	VACUUM TUBE COVER	LONGEMENT DE CANNE
40	86143040	1869HG	LENS, BAG LIGHT INDICATOR	COUVERCLE DE LAMPE
41	86145580	1830BL	SWITCH BUTTON	INTERRUPTEUR
42	86145220	1862	SPRING	RESSORT
43	86142830	1834	INTERNAL CABLE	CABLE ELECTRIQUE
44	86141370	1878	EXHAUST FILTER 370/470	FILTRE SORTIE D'AIR
45	86141360	1802HG	EXHAUST FILTER COVER	COUVERCLE FILTRE SORTIE
46	86143480	1853WI	MOTOR COVER 370/470	CAPOT MOTEUR
47	86141050	1804HG	DUST BAG HOUSING BUMPER	CARTER INFERIEUR DE LOGEMENT SAC POUSSIERE
48	86141750	1846WI	FRONT COVER COMPLETE	COUVERCLE DE LOGEMENT
49	86140440	1818BL	COVER RELEASE	VERROU DE COUVERCLE
50	86144970	6040	SEAL, RELEASE COVER	JOINT
51	86143940	1819	PLASTIC AXLE COVER	COUVERCLE
52	86138040	1847	BAG HOLDER, CPL	CROCHET SAC PUSSIERE
53	86144760	5091	SAFETY CATCH SPRING	RESSORT
54	86144750	1817	SAFETY CATCH	LEVIER DE SECURITE
55	86000500	5300	SENSOR FILTER BAG PACK	SACS POUSSIERE PAPIER
56	86141550	5045HG	EXTENSION TUBE, GRY	TUBE COMPLET
57	86142650	5040HG	HOSE, SENSOR GRY	FLEXIBLE
58	86146310	1491JE	UPHOLTERY NOZZLE	BUSE BROSE FAUTEUIL
59	86140860	1092JE	CREVICE NOZZLE	BUSE SIFFLET
60	86147030	0102	SCR, M3,9 X 13 MM DIN 7981	VIS, 3,9 X 13
61	86147040	0103	SCR, M3,9 X 16 MM DIN 7981	VIS, 3,9 X 16
62	86142690	1875	HOSPITAL GRADE FILTER	MICRO FILTRE
63	86144610	1884HG	RETAINING BUTTON	BOUTON DE FILTRE

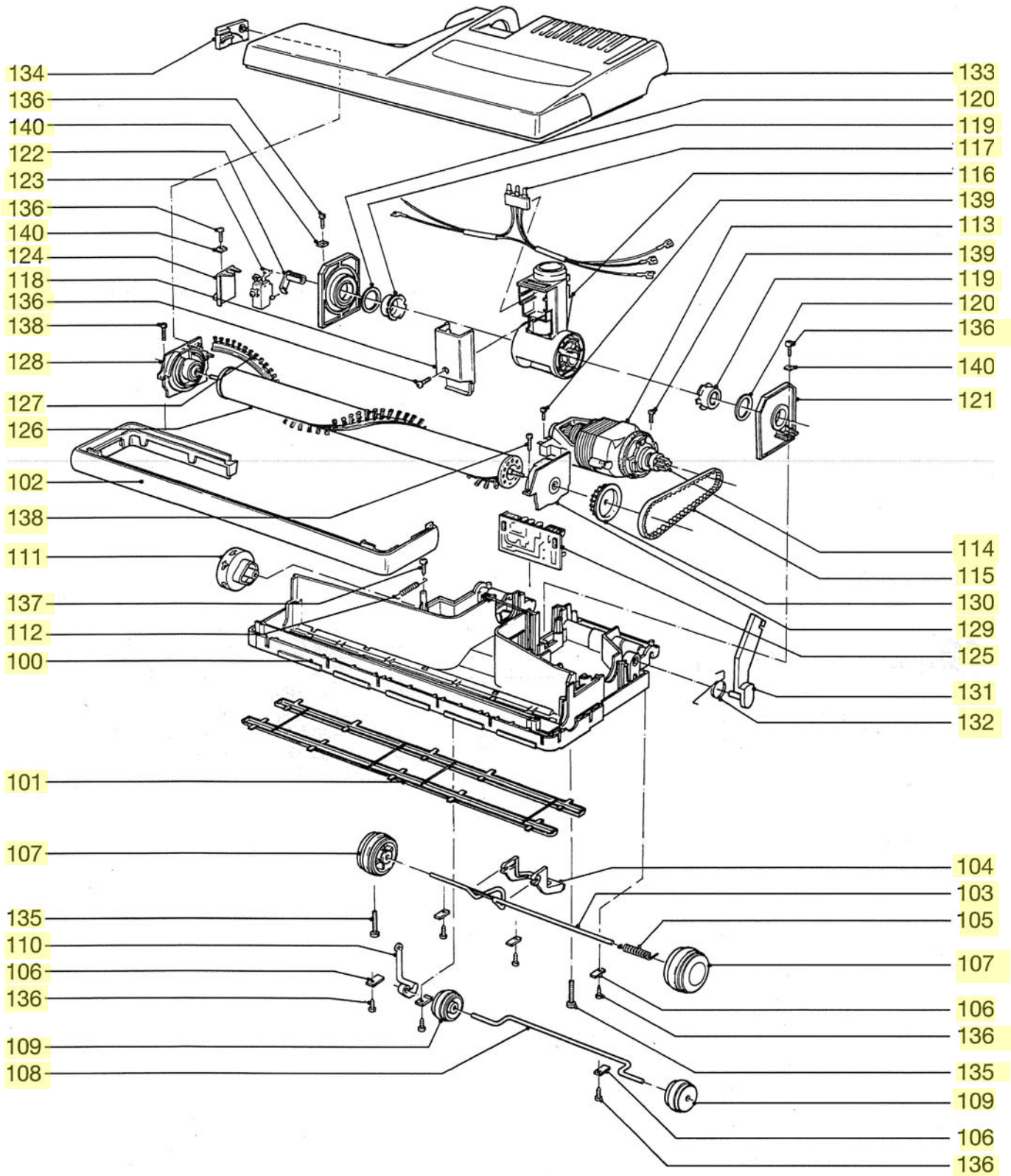
PARTS LIST / VSP14 / 120V



PARTS LIST / VSP14 / 120V

POS	PRODUCT CODE	PRV NO.	DESCRIPTION	DESIGNATION
100	86139670	2543HG	CHASSIS, VSP14/JAV14	CHASSIS
101	86143220	2005	METAL PLATE	PLAQUE EN METAL
102	86138860	2522HG	BUMPER	PARE CHOC
103	86137890	2525	AXLE, VSE-1	AXE
104	86141700	2528OR	FOOT PEDAL	PEDALE DE PIED
105	86146570	2010	WHEEL RETURN SPRING	RESSORT D'AXE
106	86140000	2014	CLAMP CONNECTING ROD (AXLE)	BRIDE DE SERRAGE
107	86146620	2614HG	WHEEL	ROUE
108	86137880	2524	AXLE, VSE1 PILE ADJUSTMENT	AXE DE ROUE
109	86146610	2608HG	WHEEL, PILE ADJUSTMENT	ROUE DE RELGAGE
110	86143830	2622HG	PILE ADJUSTMENT KNOB	BOUTON DE REGLAGE
111	86145270	4019	SPRING	RESSORT
112	86138460	2241UL	BRUSH DRIVE MOTOR, 115V U70G32	MOTEUR DE BROSSE
	86138370	0512	BRUSH SET, VSM BRUSH MOTOR	CHARBON P. MOTEUR DE BROSSE
113	86144420	2025	PULLEY-MOTOR	POULIE MOTEUR
114	86235390	2049	DRIVE BELT	COURROIE CRANTEE
115	86145870	2610UL	SWIVEL NECK ASSEMBLY	ARTICULATION, CPL.
116	86146760	2612UL	WIRE, SWIVEL NECK ASSEMBLY	CABLE ELECTR. D'ARTICULATION
117	86145840	2602HG	SWIVEL NECK COVER 370/470	COUVERCLE D'ARTICULATION
118	86145780	2467	SWIVLE NECK PLASTIC BEARING	ROULEMENT PLASTIQUE
119	86146560	0155	WASHER	RONDELLE 22/30/0,5
120	86145880	2613	SWIVEL SUPPORT	SUPPORT D'EMBOUT
121	86143290	2624	MICRO SWITCH SUPPORT, CPL	SUPPORT D'INTERRUPTEUR
122	86143240	0531	MICRO SWITCH F. SWIVEL	MICRO INTERRUPTEUR
123	86145620	2605	SWITCH, LEVER	LEVIER
124	86143680	0849UL	NECK WIRE	CABLE
125	86140290	2572ER	CONTROL PC BOARD VSE1/3	CONTROL ELECTRIQUE 120 V
	86143780	2636	PAC BOARD COVER	COUVERTURE PLASTIQUE
126	86138430	2030ER	BRUSH ASM, 14 IN.	ROULEAU DE BROSSE
127	86002440	2046	BRUSH STRIP, 14"	BARRETTE DE BROSSE
128	86138100	2047	BEARING BLOCK, VSM/VSE RH	BLOC DE ROULEMENT DROIT
129	86138110	2091	BEARING BLOCK, VSM/VSE LH	BLOC ROULEMENT GAUCHE
130	86144430	2458	PULLEY, VSE BRUSH ROLLER	POULIE DE BROSSE
131	86145440	2652HG	SUPPORT LEVER	LEVIER DE SUPPORT
132	86145230	2545	SRPING, VSE RETURN	RESSORT
133	86140580	2625WI	COVER 370. CPL	CARTER SUPERIOR MOTEUR
134	86140530	2542	COVER VSE BRUSH STRIP	COUVERCLE DE BARRETTE
135	86147070	0111	SCR, M5 X 30 MM DIN 7985A NP	VIS AM5 X 30
136	86147030	0102	SCR, M3,9 X 13 MM DIN 7981	VIS 3,9 X 13
137	86147040	0103	SCR, M3,9 X 16 MM DIN 7981	VIS 3,9 X 16
138	86147060	0105	SCR, M3,9 X 19 MM DIN 7981 CPLT	VIS 3,9 X 19
139	86144880	0174	SCREW, BRIDGE SR	VIS 3,9 X 22
140	86146550	0141	WASHER, LOCK	EMBAYAGE

PARTS LIST / VSP18 / 120V



PARTS LIST / VSP18 / 120V

POS	PRODUCT CODE	PRV NO.	DESCRIPTION	DESIGNATION
100	86139800	4611HG	CHASSIS, GRY PLUS	CHASSIS
101	86143230	4004ER	METAL PLATE 450/460 SET	PLAQUE EN METAL
102	86138910	4522HG	BUMPER	PARE CHOC
103	86137960	4523	AXLE, VSE2	AXE
104	86141700	2528OR	FOOT PEDAL	PEDALE DE PIED
105	86146570	2010	WHEEL RETURN SPRING	RESSORT D'AXE
106	86140000	2014	CLAMP CONNECTING ROD (AXLE)	BRIDE DE SERRAGE
107	86146650	4603HG	WHEEL	ROUE
108	86143870	4006	PILE ADJUSTMENT AXLE & WHEEL ASSM	AXE
109	86146610	2608HG	WHEEL, PILE ADJUSTMENT	ROUE DE REGLAGE
110	86143880	4012	PILE ADJUSTMENT LEVER	LEVIER D'ADJUSTEMENT
111	86143830	2622HG	PILE ADJUSTMENT KNOW	BOUTON DE REGLAGE
112	86145270	4019	SPRING	RESSORT
113	86138580	4022UL	BRUSH MOTOR, 115V U70G40	MOTEUR DE BROSSE
	86138370	0512	BRUSH SET, VSM BRUSH MOTOR	CHARBON P. MOTEUR D. BROSSE
114	86144420	2025	PULLEY-MOTOR	POULIE MOTEUR
115	86147010	4024	DRIVE BELT	COURROIE
116	86146060	4614UL	SWIVEL NECK ASSEMBLY	ARTICULATION, CPL.
117	86146780	4615UL	WIRE, SWIVEL NECK	CABLE ELECTR. D'ARTICULATION
118	86145840	2602HG	SWIVEL NECK COVER 370/470	COUVERCLE D'ARTICULATION
119	86145780	2467	SWIVLE NECK PLASTIC BEARING	ROULEMENT PLASTIQUE
120	86146560	0155	WASHER	RONDELLE 22/30/0,5
121	86145880	2613	SWIVEL SUPPORT	SUPPORT D'EMBOUT
122	86145630	4601	SWITCH, LEVER	LEVIER
123	86143240	0531	MICRO SWITCH F. SWIVEL	MICRO INTERRUPTEUR
124	86143280	2453	MICRO SWITCH SUPPORT	SUPPORT D'INTERRUPTEUR
125	86143710	4532ER	P.C. BOARD, VSE2	CONTROL ELECTRIQUE 120V
	86143780	2636	PC BOARD COVER	COUVERTURE PLASTIQUE
126	86138590	4033ER	BRUSH ASM COMPLETE, 18"	ROULEAU DE BROSSE
127	86001640	4028	BRUSH STRIP, 18" MODEL U19840	BARRETTE DE BROSSE
128	86138100	2047	BEARING BLOCK, VSM/VSE RH	BLOC DE ROULEMENT DROIT
129	86138110	2091	BEARING BLOCK, VSM/VSE LH	BLOC ROULEMENT GAUCHE
130	86144430	2458	PULLEY, VSE BRUSH ROLLER	POULIE DE BROSSE
131	86145440	2652HG	SUPPORT LEVER	LEVIER DE SUPPORT
132	86145230	2545	SPRING, VSE RETURN	RESSORT
133	86140730	4616WI	COVER, CPL	CARTER SUPERIEUR MOTEUR
134	86140530	2542	COVER VSE BRUSH STRIP	COUVERCLE DE BARRETTE
135	86147070	0111	SCR, M5 X 30 MM DIN 7985A NP	VIS AM5 X 30
136	86147030	0102	SCR, M3,9 X 13 MM DIN 7981	VIS 3,9 X 13
137	86147040	0103	SCR, M3,9 X 16 MM DIN 7981	VIS 3,9 X 16
138	86147060	0105	SCR, M3,9 X 19 MM DIN 7981 CPLT	VIS 3,9 X 19
139	86144880	0174	SCREW, BRIDGE SR	VIS 3,9 X 22
140	86146550	0141	WASHER, LOCK	EMBROYAGE