

A Attachments

- 1 Upholstery Nozzle
- 2 Crevice Nozzle

B Optional Attachments

- 1 Extension Hose
- 2 Straight Tube
- 3 Dusting Brush
- 4 Upholstery Nozzle, special
- 5 Wall- and Floor Brush

C Service Parts

- 1 Paper Bag
- 2 Micro-Hygiene-Filter
- 3 Exhaust Filter
- 4 Brush Roller

A Accesorios

- 1 Boquilla para tapicería
- 2 Boquilla para grietas

B Accesorios opcionales

- 1 Manguera flexible
- 2 Tubo rígido
- 3 Cepillo para sacudir
- 4 Boquilla para tapicería
- 5 Cepillo para paredes y piso

C Piezas de repuesto

- 1 Bolsa de papel
- 2 Micro filtro higiénico
- 3 Filtro de salida de aire
- 4 Cepillo de rodillo

WARNING! Electric shock could occur if used outdoors or on wet surfaces!

ADVERTENCIA! Si se utiliza al aire libre i sobre superficies húmedas podría ocurrir un choque eléctrico

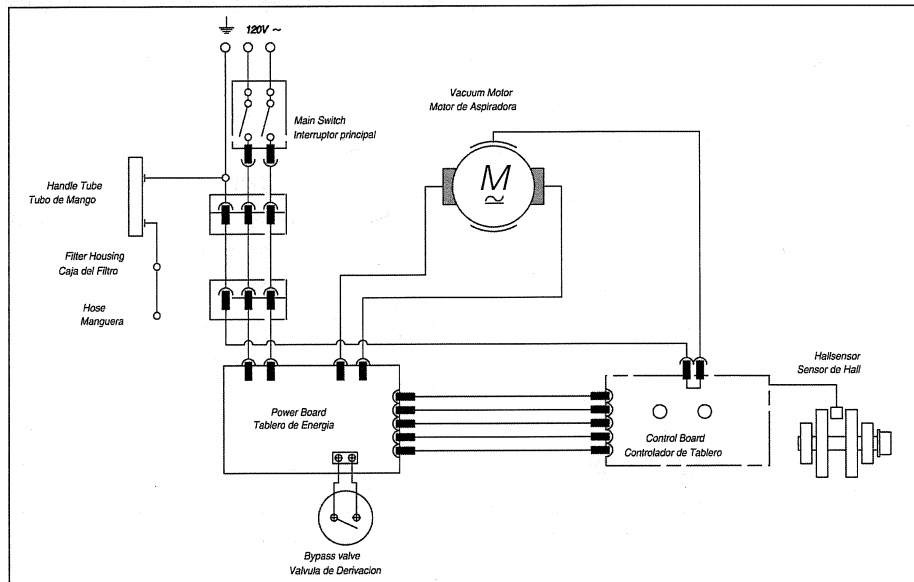
Technical Details

Vacuum motor	1200 Watt
Water lift	2300 mm (90")
Air flow	50 L/S (105 CFM)
Dust bag capacity	5,3 liters
Working width	378 mm (15")
Brush drive	tooth belt
Brush speed	2700 rpm
Floor adjustment	mechanical
Cable	12,2 m (40 ft)
Weight	7,5 kg (16,4 lbs)
Radio supression	EN 55014 Verf. 242/91

Datos tecnico

Motor de aspiración	1200 vatios
Columna de agua	2300 mm (90 pulgadas)
Flujo de aire	50 L/S
Capacidad bolsa del polvo	5,3 litros
Ancho operacional	378 mm (15 pulgadas)
Motor del cepillo	cinta dentada
Velocidad del cepillo	2700 rpm
Ajuste al suelo	mecánico
Cable	12,2 m (40 pies)
Peso	7,5 kg (16,4 libras)
Supresión de radio	EN 55014 Verf. 242/91

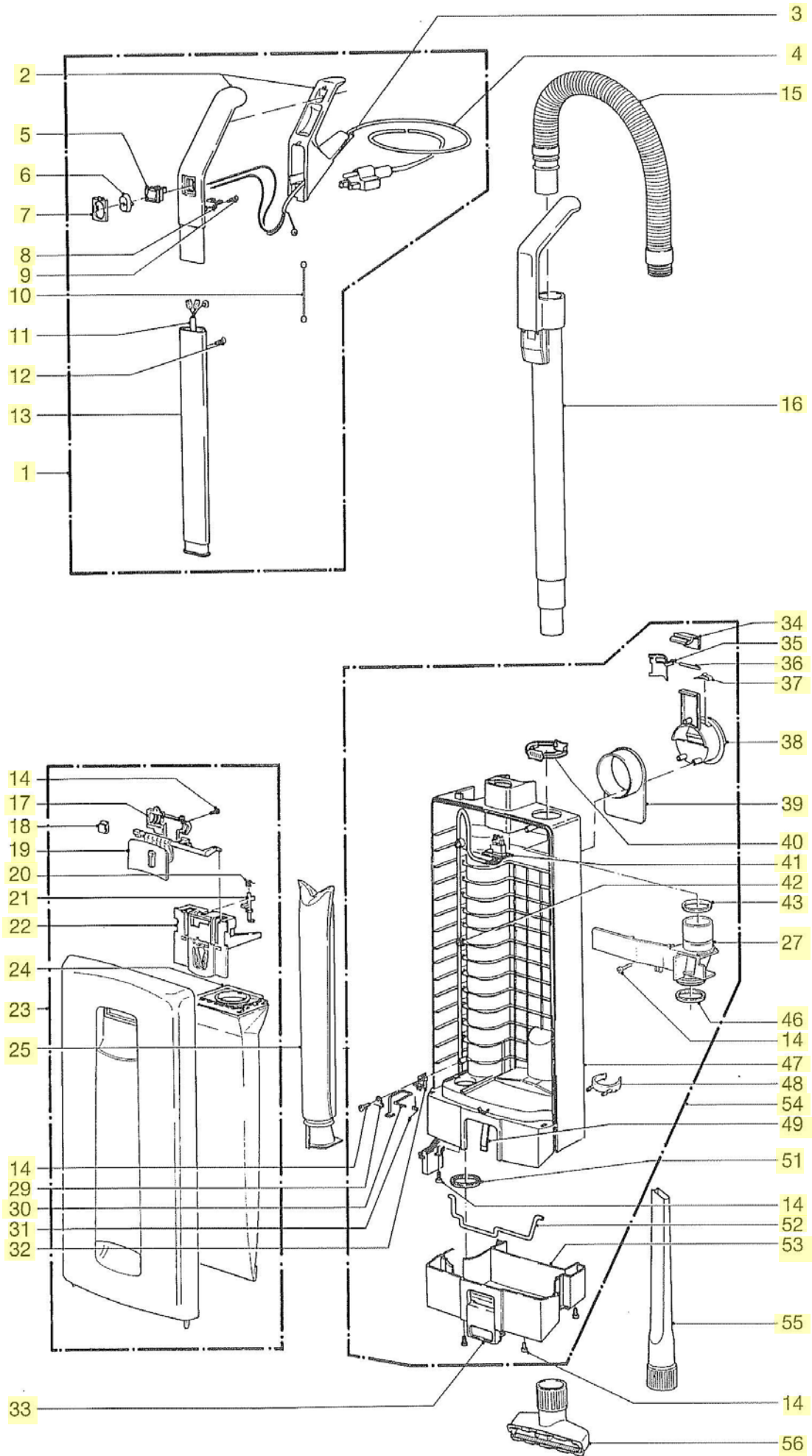
Wiring Diagram / Diagrama de conexiones



1351 West Stanford Ave.
 Englewood, Colorado 80110 USA
 800-444-7654
 303-762-1800
 FAX: 303-762-0817

U.S. Patents: 5,056,175
 4,955,106
 5,028,245

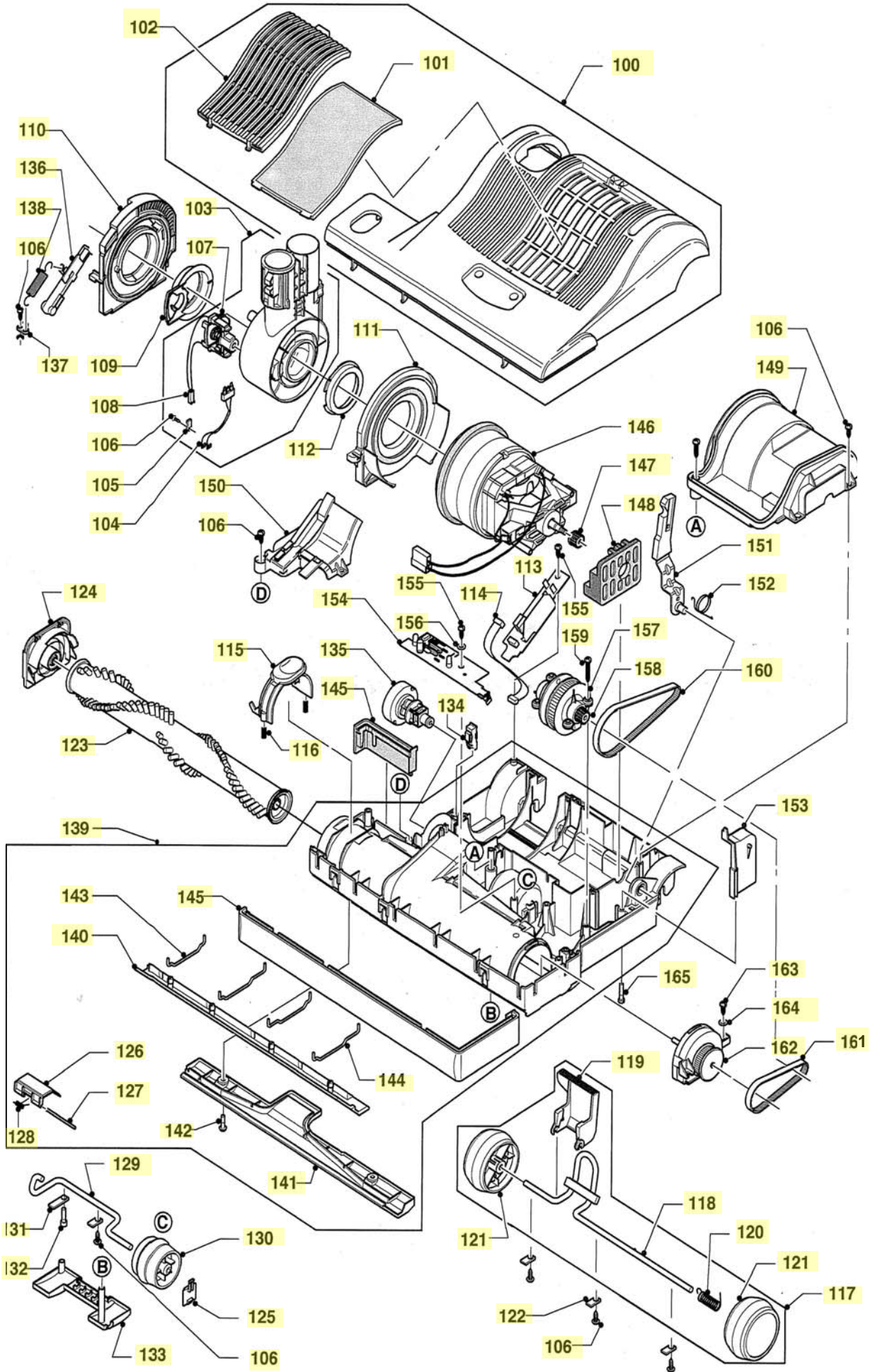
PARTS LIST/ SENSOR S15/ 120V



PARTS LIST/ SENSOR S15/120V

POS	PRODUCT CODE	PRV NO.	DESCRIPTION
1	86142430	5625UL	HANDLE COMPLETE
2	86142340	5296EW	HANDLE GRIP SR GRY
3	86141970	5359HG	GROMMET
4	86135510	23011	CABLE
5	86000880	0532	SWITCH / BLUE
6	86145640	5160BLU	SWITCH CAP, BLUE
7	86145700	5161HG	SWITCH CAP HOLDER GRY
8	86139280	5162	CABLE CLAMP
9	86016900	0103ER	SCREW C 3,9x16
10	86137780	0846	ANTISTATIC WIRE
11	86142310	5256ER	HANDLE CABLE 3WIRE W/CONNECTOR
12	86147140	0129	SCREW, M4 x 12MM
13	86142300	5187	HANDLE TUBE
14	86147030	0102	SCREW M3,9x13 DIN 7981
15	86142650	5040HG	HOSE, SENSOR GRY
16	86141550	5045HG	EXTENSION TUBE, GRY
17	86140830	5803HG	COVER
18	86145340	5319	SPRING, BAG HOLDER
19	86140810	5706BL	COVER RELEASE, BLUE
20	86144760	5091	SAFETY CATCH SPRING
21	86144770	5360	SAFETY CATCH
22	86138050	5324	BAG HOLDER.
23	86141860	5800WI	FRONT COVER COMPLETE
24	86000500	5300	SENSOR FILTER BAG PACK
25	86005220	5301ER	MICRO HYGIENE FILTER
27	86142910	5380HG	INTERNAL COVER
29	86139970	1073	CLAMP
30	86141620	5208	FILTER SAFETY CATCH
31	86145320	5210	SPRING (MICOR FILTER CATCH
32	86139290	5164	CABLE CLAMP
33	86141090	5082BLU	DUST BAG HOUSING LOCKING CATCH
34	86143140	5098HG	LOCK CATCH GRY
35	86142290	5099	HANDLE LOCK PLATE
36	86143060	0187	LOCK PIN
37	86145350	5146	STOP SPRING (HOOK)
38	86139450	5145HG	CARRYING HANDLE
39	86139260	5144HG	CABLE HOOK LT GRY
40	86144620	5424DG	RETAINING RING, DK, GRY
41	86142880	5255ER	INTERNAL CABLE 3WIRE LOOSE CON
42	86169320	5266	CABLE CLAMP (FILTER BAG HSNG)
43	86144900	5043	SEAL
46	86144930	5289	SEAL, FILTER TUBE
47	86141250	5281HG	DUST BAG HOUSING, 3-WIRE, GRY
48	86140080	1823HG	CLIP, DUST BAG HOUSE-SR12
49	86145280	5084	SPRING, LOCKING ROD
51	86144910	5163	SEAL, FILTER BAG HOUSING NECK
52	86143120	5083	LOCKING ROD
53	86141120	5085HG	DUST BAG HOUS.BUMPER BASE
54	86141190	5215UL	DUST BAG HOUSING, SR'S, 3-WIRE.
55	86140860	1092JE	CREVICE NOZZLE
56	86146310	1491JE	UPHOLSTERY NOZZLE

PARTS LIST / SENSOR S15 / 120V



PARTS LIST / SENSOR S15 / 120 V

POS	PRODUCT CODE	PRV NO.	DESCRIPTION
100	86144150	2832WI	POWER HEAD COVER SRS 15, CPL.
101	86141400	2846	EXHAUST FILTER
102	86141380	2820BL	EXHAUST FILTER COVER
103	86145910	2827UL	SWIVEL NECK ASSEMBLY
104	86143180	2886	MALE CONTACT HOLDER
105	86139230	2494	CABLE CLAMP
106	86147030	0102	SCREW 3,9x13 DIN 7981
107	86139100	2835	BYPASS VALVE
108	86142790	0869	INTERNAL CABLE
109	86145900	2825	SWIVEL NECK BEARING R.H.
110	86145890	2824	SWIVEL NECK SUPPORT R.H.
111	86146110	5479	SWIVEL NECK SUPPORT L.H.
112	86146130	5717	SWIVEL NECK BEARING L.H.
113	86143800	2890ER	PCB POWER SUPPLY
114	86142780	0864	INTERNAL CABLE, RIBBON
115	86138500	2843BL	BRUSH ROLLER RELEASE, SRS15
116	86145290	5103	SPRING
117	86137980	5051HG	AXLE ASSEMBLY GRY
118	86137990	5053	AXLE
119	86293260	5059OR	FOOT PEDAL
120	86146570	2010	WHEEL RETURN SPRING
121	86146670	5819HG	WHEEL, CPL.
122	86140000	2014	CLAMP CONNECTING ROD (AXLE)
123	86138490	2838WI	BRUSH ROLLER 15"
124	86138170	5287BLU	BEARING BLK, RH SR12 BLU/GRY
125	86144700	2869HG	RUBBING PLATE
126	86137700	2868OR	ACCESS DOOR
127	86138000	5303	AXLE , ACCESS DOOR
128	86145330	5304	SPRING , ACCESS DOOR
129	86143850	2861	PILE ADJUSTMENT AXLE
130	86143920	5174HG	PILE ADJUSTMENT WHEEL GRY
131	86137920	2849	AXLE CLAMP
132	86144860	01010	SCREW M 4 x 6,DIN 7985
133	86140620	2860HG	COVER
134	86146220	2833	THRUST MEMBER
135	86143860	2862HG	PILE ADJUSTMENT KNOB
136	86146230	2834	THRUST MEMBER
137	86140010	2856	CLAMP
138	86145250	2867	SPRING
139	86139740	2822HG	CHASSIS SRS15, CPL
140	86141760	2828HG	FRONT BOTTOM PLATE SRS15
141	86144530	2830HG	REAR BOTTOM PLATE SRS15, CPL
142	86144850	0197ER	SCR, M4X12 MM W/WASHER
143	86146790	5401	WIRE TIE, BOTTOM PLATE, OUTER
144	86146800	5402	WIRE TIE, BOTTOM PLATE, CENTER
145	86138880	2842HG	BUMPER, SET
146	86139400	05117S	CARBON BRUSH SET 100/120V
146	86146210	05135ST	THERMO SWITCH VAC
146	86143630	5469	MOTOR 1000 W / 120 V
147	86143620	5462	MOTOR PULLEY 2MR
148	86144710	5100	RUBBER MOUNTING
149	86143490	2826BL	MOTOR COVER
150	86140610	2839SW	COVER FOR AIR CHANNEL
151	86145470	5129	SUPPORT LEVER
152	86145460	5107	SUPPORT SPRING
153	86143570	5112SW	MOTOR PULLEY COVER
154	86140150	2881ER	COMPUTER CONTROLLER
155	86147160	0107	SCREW 2,9 x 13
156	86147190	0143	WASHER 3,2
157	86145060	5465	SENSOR (WITH RED RING)
158	86143580	5117	MOTOR PULLEY
159	86147050	0104	SCR, M3.9 X 25 MM
160	86138240	5463	BELT 2MR-310-6
161	86005000	5110	BELT HTD-II, 219 3M
162	86138200	5766HG	BEARING BLOCK L.H.
163	86016900	0103ER	SCREW C 3,9x16
164	86146540	0140	WASHER
165	86147170	0176	SCREW M4 X 30